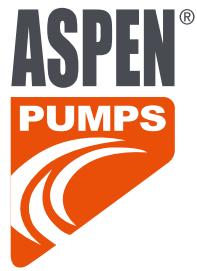


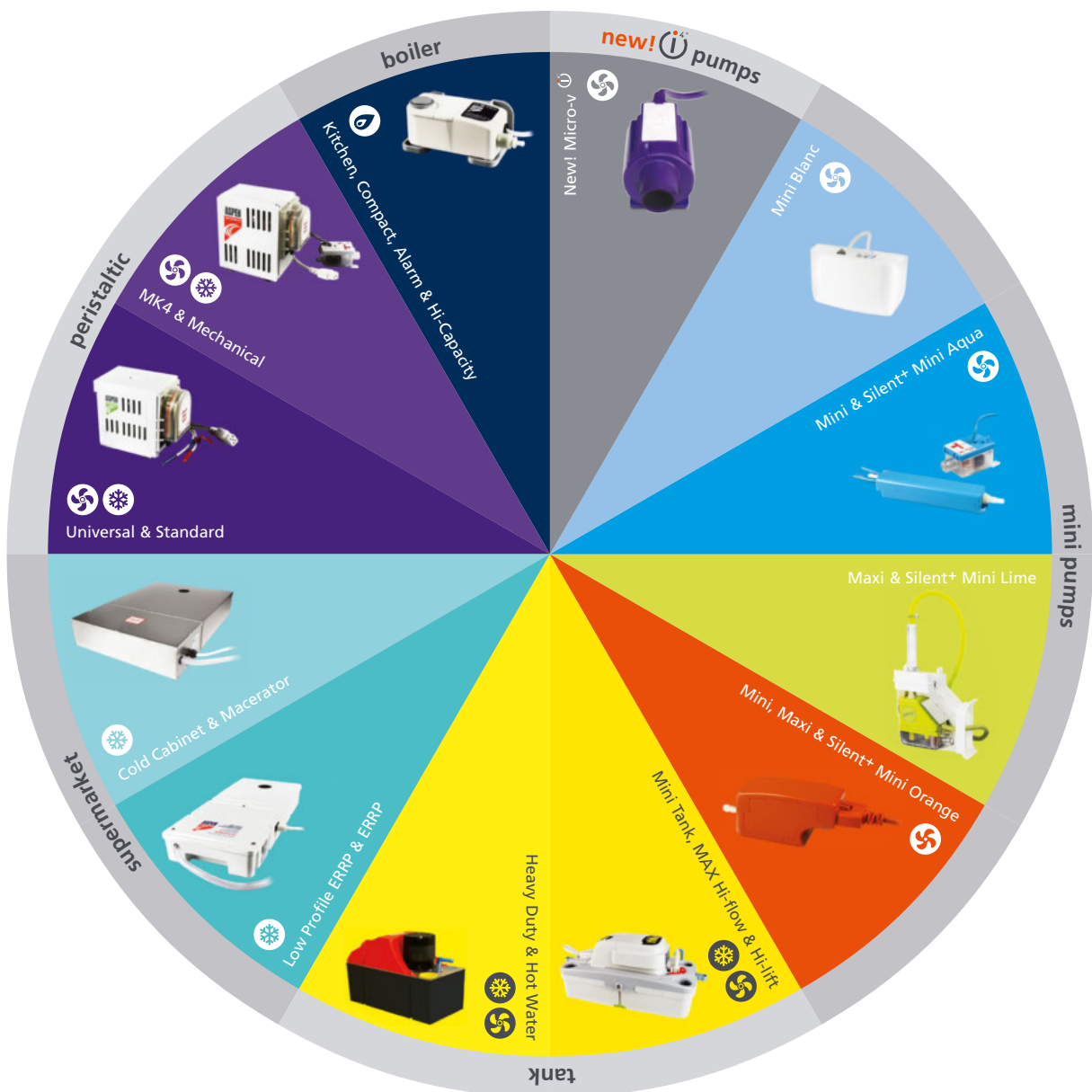
Product Guide

The most complete range of ancillary essentials designed specifically for the HVAC/R industry





The best and most complete range of condensate removal pumps





Pump range & selector

4-5

i⁴ PUMPS



Micro-v i⁴

6-7

SILENT+ PUMPS



Silent+ Mini Orange

9

Silent+ Mini Aqua

11

Silent+ Mini Lime

13

MINI PUMPS



Mini Orange®

15

Mini Aqua®

17

Mini Blanc®

19

Maxi Orange

20

Maxi Lime

21

TANK PUMPS



Mini Tank

23

MAX Hi-Flow

25

Hi-lift 1L & 2L

26

Heavy Duty 6 & 10

27

Hot Water Economy

28

Hot Water Heavy Duty

29

PERISTALTIC PUMPS



Universal

31

Standard

32

MK4

33

Mechanical

34

SUPERMARKET PUMPS



Low Profile ERRP

37

ERRP

38

Cold Cabinet

39

Macerator 4L & 10L

40

BOILER PUMPS



Kitchen

43

Compact

44

Alarm

45

Hi-Capacity

46



HVAC/R ANCILLARIES

Contents 49

Pipe Support 50-64

Controls 65-66

Condenser Support 67-72

Condensate Management 73-77

Servicing 78-81

Ancillaries 82-84



BIG FOOT SYSTEMS SUPPORT

Contents 87

Ancillaries 88-95

AC support 96-104

AHU support 105-109




Chiller support 110-113




Safe Access Range 114-116



Pump Selector

	System Type							Duty @ 50Hz				Mounting					
	Cassette	Wall mount	Ducted	Under ceiling	Humidifier	De-humidifier	Floor type	Max. flow (L/hr)	Max. rec. head (m)	Suction lift (m)	Sound dB(A)	Max. kW / Btu's*	Trunking	In unit	Remotely	Below unit	
Silent+	Micro-v i⁴ (100-250V)	•	•	•			•	14.5	10	2	19	19.3 / 66k	✓			-	
	Mini Orange (230V)	•	•	•										✓			
	Mini Lime (230V)	•	•	•				12			-	21	16 / 54k	✓	-		
	Mini Aqua (230V)	•	•	•			•				2	19		✓			
Mini	Mini Orange (230V)	•	•	•				12	10	2	21	16 / 54k	✓			-	
	Maxi Orange (230V)	•	•	•				35	15	-	35	46 / 157k	-	-	✓		
	Maxi Lime (230V)	•	•	•						-			✓	-			
	Mini Aqua (230V)	•	•	•			•			2	21	16 / 54k	✓				
	Mini Blanc (230V)	•						12	10	-			-		✓		
NEW! Tank	Mini Tank (230V)		•				•	35	15		35	46 / 157k	-	✓	-	✓	
	Max Hi-Flow (230V)	•	•					550	5		44	733 / 2.5m					
	Hi-Lift 1L & 2L (230V)	•	•					11	12		51	14 / 47k					
	Heavy Duty 6 (230V)	•						900	6	-	60	1200 / 4m					
	Heavy Duty 10 (230V)	•						1070	9		64	1460 / 4.9m					
	HW Economy (230V)					•		900	7		60	1200 / 4m					
	Hot Water HD (230V)					•		1800	15		63	2400 / 8m					
Peristaltic	Universal (230V)		•	•	•			6.5	12	3	47	8.5 / 29k	-	✓	✓		
	Standard (230V)		•	•	•												
	Mk4 (230V)		•	•	•												
	Mechanical (230V)		•	•	•												

	System Type		Duty @ 50Hz				Mounting	
	 Dairy case	 Chillers	Max. flow (L/hr)	Max. rec. head (m)	Sound dB(A)	Max. kW / Btu's*	In unit	Below unit
Supermarket 	Low profile ERRP (230V)		190	21	60	-	✓	✓
	ERRP (230V)		225	35		-		
	Cold Cabinet (230V)	✓				✓		
	Macerator 4L (230V)		780	8.5	64	-		
	Macerator 10 L (230V)					-		

	Condensing Boiler Type		Duty @ 50Hz				Mounting	
	 Gas	 Oil	Max. flow (L/hr)	Max. rec. head (m)	Sound dB(A)	Max. kW / Btu's*	Wall	Floor
Boiler 	Kitchen (230V)		12	10	21	45 / 153k	✓	-
	Compact (230V)	-	35	15	35	85 / 290k		✓
	Alarm (230V)	✓	300	3.2	60	100 / 341k		✓
	Hi-Capacity (230V)	✓	288	5	60	200 / 682k		✓

*Water quantity based on cooling capacity may vary geographically

What is univolt?
A Univolt pump can be used on any AC voltage power supply across the globe.





- No breather tube
- Soft start
- Multi orientation
- i⁴ technology built in

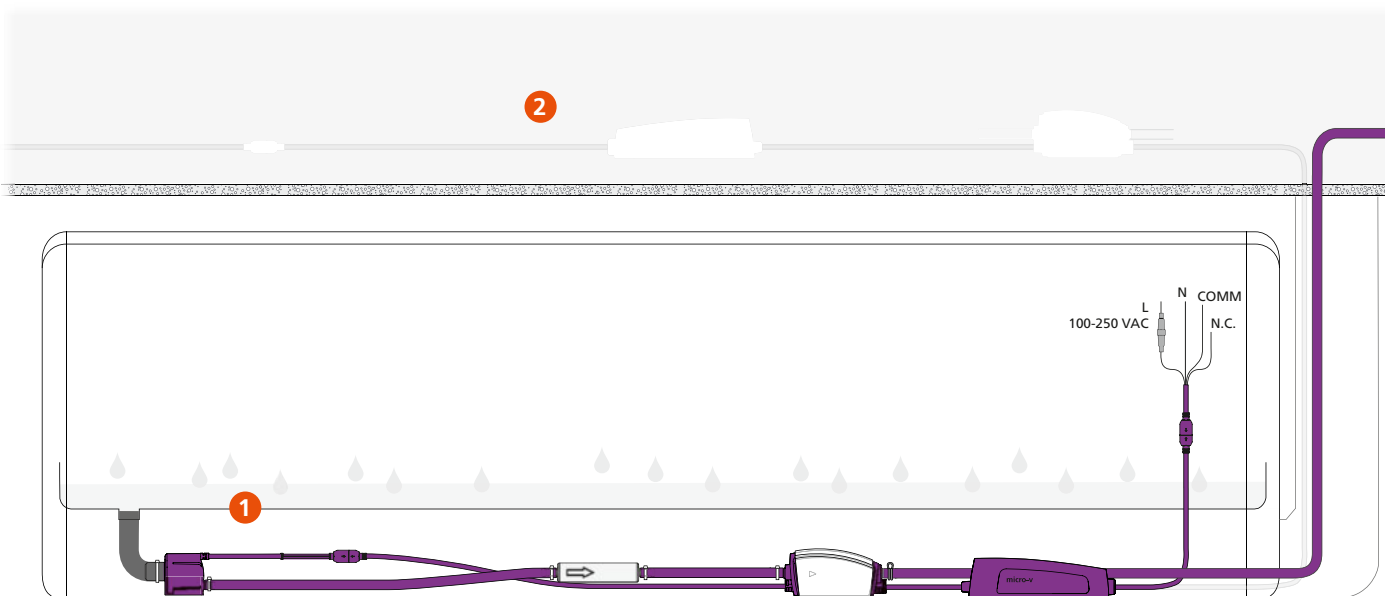
Micro-vⁱ⁴: no breather tube and soft start

The award-winning Micro-v condensate removal pump with no breather tube fits into the smallest of spaces. On-demand operation and floatless technology delivers silent running and a longer pump life.

- No breather tube
- Small multi orientation sensor with visual pump status diagnostics
- Unrivalled controlled soft start function for truly quiet running and prolonged pump life
- **i⁴ technology** built in – installation, operation & maintenance even easier
- All backed by a 2 year maintenance free warranty!



Micro-v i⁴



- 1 In the AC unit
- 2 In the ceiling

Information correct at time of going to press.



AIR CONDITIONING



REFRIGERATION



HEATING



Micro-v ⁱ⁴

INTELLIGENT CONDENSATE REMOVAL PUMP

The award-winning Micro-v condensate removal pump with no breather tube, fits into the smallest of spaces. On-demand operation and floatless technology delivers silent running and a longer pump life.



14.5L/h max. flow



10m max. rec. head (flow rate 6L/h)



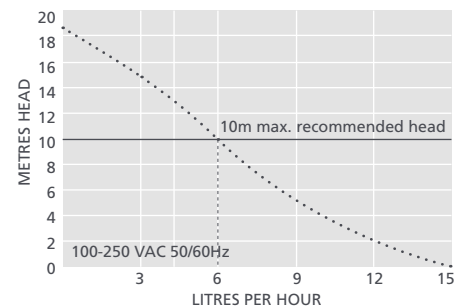
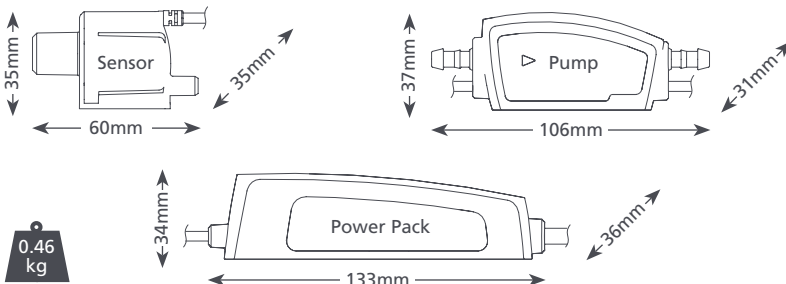
19dB(A) @ 1m

KEY FEATURES

- No breather tube
- Soft start
- Small multi orientation sensor
- Plug & Play
- Univolt

SUITABILITY

- Up to 19.3kW / 66,000Btu/h
- High wall split systems; Ducted units; Floor standing & Chassis units
- ✓ **Perfect for...** installing directly inside the unit



MICRO-V i ⁴ @ 100-250 VAC 50/60Hz	
Max. flow	14.5L/h @ 0 head
Max. rec. head	10m
Max. suction lift	2m
dB(A) @ 1m	19
Power supply	100-250 VAC, 0.45A, 50/60Hz
Rated Class	Continuous II appliance <input type="checkbox"/>
Max. unit output	19.3kW / 66,000Btu/h
Max. water temp	40°C / 104°F
Discharge tube	6mm ID
IP Protection	IP24
Safety switch	3.0A Normally closed
Thermal protection	✓
Fully potted	✓
Self priming	✓

MICRO-V i ⁴ OPTIONS	
Micro-v i ⁴ (Europe)	FP1200

SUGGESTED XTRA ACCESSORIES

Description	Part No.
Rubber adaptor	FP2002
90° long arm bend	FP2006
Tube To Soil Stack Adaptor	FP2038

IN THE BOX

Micro-v i⁴ pump includes: Water sensor fitted with 850mm interface cable terminated with a plug (removable sensor bracket attached)

- Adaptive pump fitted with 1m interface cable and 1m x 6mm violet tube (anti siphon device fitted)
- Universal voltage power supply fitted with 200mm plug and play fly lead connected to 1.4m power cable combined power and high water level cores
- AV Pump bracket & sleeve
- 1 amp fuse
- Inline filter
- 90° elbow drain connector & fixing kit
- Install manual

- Download manual at aspenspumps.com
- View install video at aspenspumps.com

www.aspenpumps.com/microv.html
www.aspenpumps.com/i4.html

For more installation accessories take a look at our Aspen Xtra range

Information correct at time of going to press.



aspenspumps.com

+44 (0)1323 848842

sales@aspenspumps.com

reliable | silent | simple

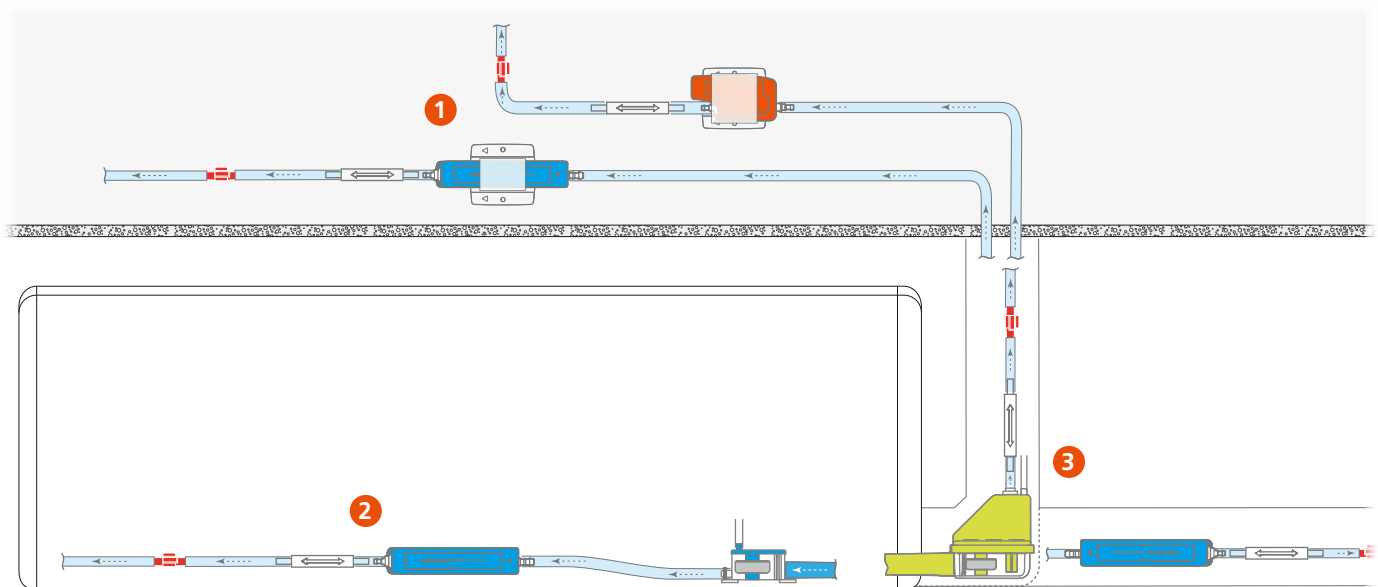
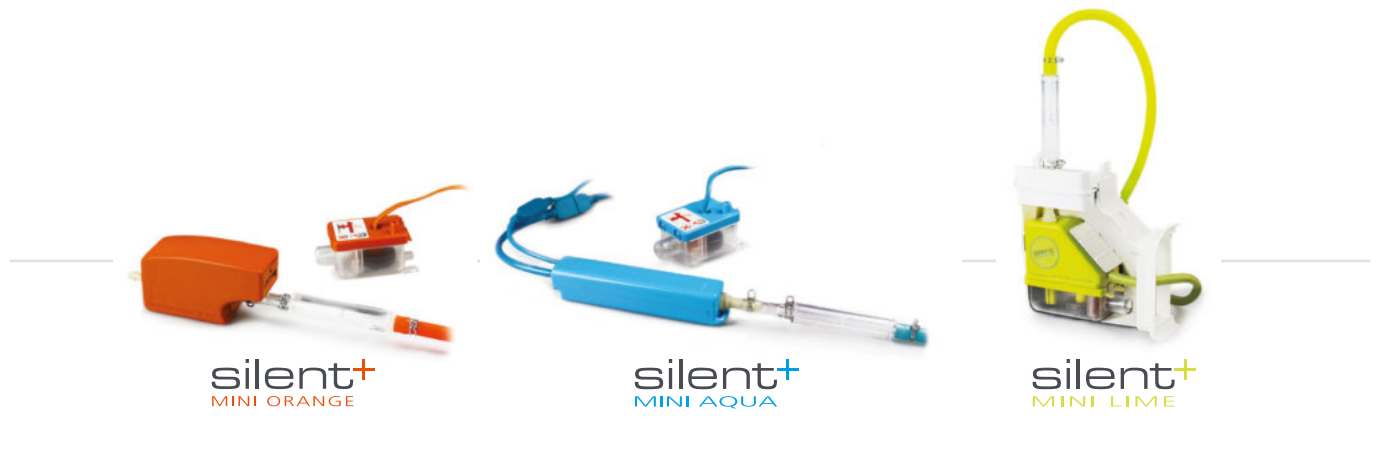


- Whisper quiet
- Acoustic damper
- Small & powerful
- Plug & play

Silent+

low sound, high performance

Today end users are demanding quieter air conditioning pumps in areas such as offices and hotels. Silent+ pumps are perfectly suited for these types of applications. The Silent+ range is designed around a 'total system approach' to ensure they operate as quietly as possible without compromising on performance.



- 1 In the ceiling (Note: anti vibration bracket)
- 2 In the AC unit
- 3 Within the trunking

Information correct at time of going to press.



AIR CONDITIONING



REFRIGERATION



HEATING



silent+ MINI ORANGE

CONDENSATE REMOVAL PUMP



The world's no.1 mini pump becomes the quietest in its class! Featuring an acoustic damper, anti vibration tubing & bracket, the Silent+ Mini Orange is whisper quiet.



12L/h max. flow



10m max. rec. head
(flow rate 6L/h)



19dB(A) @ 1m

KEY FEATURES

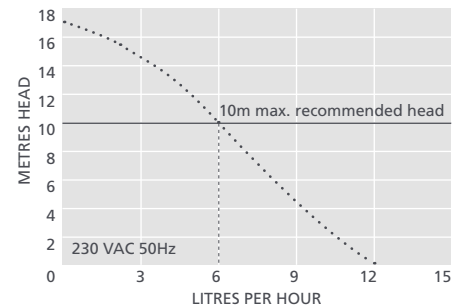
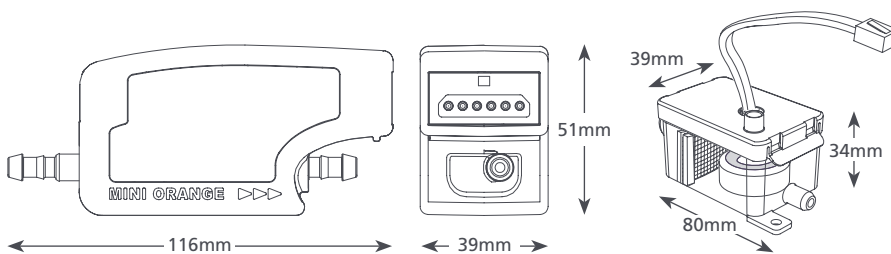
- Quietest in its class
- Submersible secondary reservoir included
- Plug & play

SUITABILITY

- Up to 16kW / 54,000Btu/h
- Ducted units; Floor standing & Chassis units; High wall split systems



0.25 kg†



SILENT+ MINI ORANGE @ 230 VAC 50Hz

Max. flow	12L/h @ 0 head
Max. rec. head	10m
Max. suction lift	2m
dB(A) @ 1m	19
Power supply	230 VAC, 0.11A, 16W 50/60Hz
Rated Class	Non continuous II appliance <input type="checkbox"/>
Max. unit output	16kW / 54,000Btu/h
Max. water temp	40°C / 104°F
Discharge tube	6mm ID
IP Protection	IP21
Safety switch	3.0A Normally closed
Thermal protection	✓
Fully potted	✓
Self priming	✓

SILENT+ MINI ORANGE OPTIONS

Silent+ Mini Orange	FP3313
† Pump only	

SUGGESTED XTRA ACCESSORIES

Description	Part No.
1 Amp Fuse	FP2620
Tube To Soil Stack Adaptor	FP2038
Vinyl Tube Braided 1/4" (6mm)	AX5100
Inline Filter 16mm	FP2640
4.3m mini/maxi orange extension kit	FP2940

IN THE BOX

Silent+ Mini Orange pump • 1.5m Plug & play power cable • Acoustic damper and 1m orange discharge tube with connector • Anti vibration bracket • Reservoir • Reservoir lid with 1.5m sensor cable • Submersible reservoir • Anti siphon device • Float & filter • 1.5m Suction tube 6mm ID • 220mm Orange inlet hose 14mm ID • 150mm Vinyl breather tube 6mm ID • Drain connector kit • Fixing kit • Install manual

- Download manual at aspenspumps.com
- View install video at aspenspumps.com



For more installation accessories take a look at our Aspen Xtra range

Information correct at time of going to press.

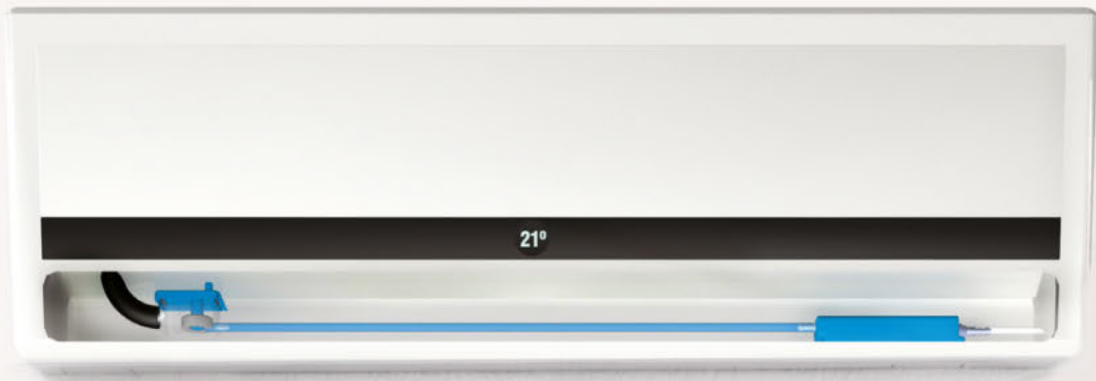


aspenspumps.com

+44 (0)1323 848842

sales@aspenspumps.com

reliable | silent | simple



Naturally fitting inside the A/C unit and with an incredibly low operating noise level, you can be sure your client will enjoy a stress free A/C system.





AIR CONDITIONING



REFRIGERATION



HEATING



silent+ MINI AQUA

CONDENSATE REMOVAL PUMP

Combining Silent+ technology and the slimmest mini pump on the market, the Silent+ Mini Aqua leads the way in innovation.



12L/h max. flow



10m max. rec. head
(flow rate 6L/h)



19dB(A) @ 1m

KEY FEATURES

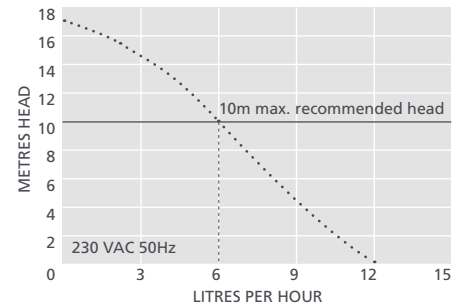
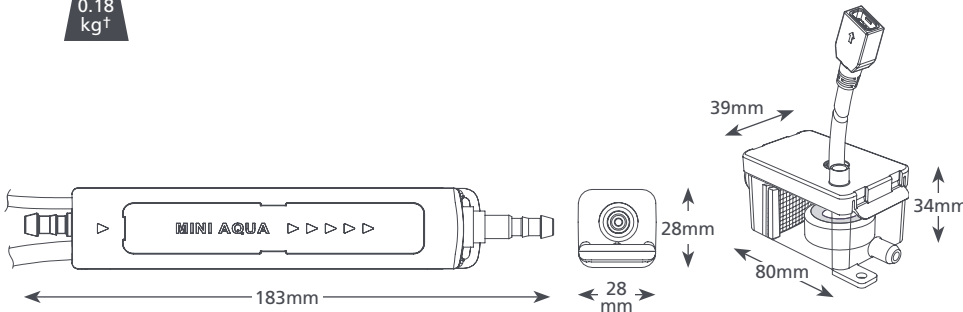
- Quietest in its class
- Acoustic damper
- Plug & play
- Anti siphon device

SUITABILITY

- Up to 16kW / 54,000Btu/h
- Ducted units; Floor standing & Chassis units; High wall mini split systems
- ✓ **Perfect for...** Small & quiet – you'll never know it's there!



0.18 kg†



SILENT+ MINI AQUA @ 230 VAC 50Hz

Max. flow	12L/h @ 0 head
Max. rec. head	10m
Max. suction lift	2m
dB(A) @ 1m	19
Power supply	230 VAC, 0.1A, 16W, 50/60Hz
Rated Class	Non continuous II appliance <input type="checkbox"/>
Max. unit output	16kW / 54,000Btu/h
Max. water temp	40°C / 104°F
Discharge tube	6mm ID
IP Protection	IP24
Safety switch	3.0A Normally closed
Thermal protection	✓
Fully potted	✓
Self priming	✓

SILENT+ MINI AQUA OPTIONS

Silent+ Mini Aqua	FP3326
† Pump only	

SUGGESTED XTRA ACCESSORIES

Description	Part No.
1 Amp Fuse	FP2620
Tube To Soil Stack Adaptor	FP2038
Vinyl Tube Braided 1/4" (6mm)	AX5100
Inline Filter 16mm	FP2640



For more installation accessories take a look at our Aspen Xtra range

IN THE BOX

- Silent+ Mini Aqua pump
- Reservoir (inc. filter, float, lid)
- 1.5m Plug & play power cable
- Acoustic damper and 1m aqua discharge tube with connector
- Anti vibration bracket
- 150mm Vinyl breather tube 6mm ID
- Anti siphon device
- 1.5m Suction tube 6mm ID
- 220mm Blue inlet hose 14mm ID
- Drain connector kit
- Fixing kit
- Install manual

- 📖 Download manual at aspenpumps.com
- ▶ View install video at aspenpumps.com

Information correct at time of going to press.



aspenpumps.com

+44 (0)1323 848842

sales@aspenpumps.com

reliable | silent | simple



Silent+ Mini Lime sits in the trunking elbow. Perfect for commercial use and retrofit installs.



AIR CONDITIONING



REFRIGERATION



HEATING



silent+ MINI LIME

CONDENSATE REMOVAL PUMP

The Silent+ Mini Lime is designed around a 'total system approach' and includes many features to create a truly silent system. Perfect for offices and meeting rooms. ('Pump only pack' also available).



12L/h max. flow



10m max. rec. head
(flow rate 6L/h)



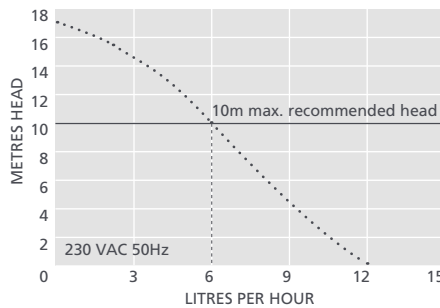
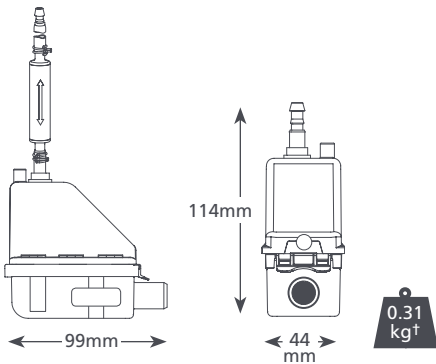
21dB(A) @ 1m

KEY FEATURES

- Acoustic damper
- Pump sits in trunking elbow
- Left or right install
- Range of trunking systems

SUITABILITY

- Up to 16kW / 54,000Btu/h
- High wall split systems
- ✓ **Perfect for...** Commercial use where silence is important



SUGGESTED XTRA ACCESSORIES

Description	Part No.
1 Amp Fuse	FP2620
Tube To Soil Stack Adaptor	FP2038
Vinyl Tube Braided 1/4" (6mm)	AX5100



For more installation accessories take a look at our Aspen Xtra range

SILENT+ MINI LIME @ 230 VAC 50Hz

Max. flow	12L/h @ 0 head
Max. rec. head	10m
Max. suction lift	n/a
dB(A) @ 1m	21
Power supply	230 VAC, 0.1A, 16W, 50/60Hz
Rated Class	Non continuous II appliance <input type="checkbox"/>
Max. unit output	16kW / 54,000Btu/h
Max. water temp	40°C / 104°F
Discharge tube	6mm ID
IP Protection	IP24
Safety switch	3.0A Normally closed
Thermal protection	✓
Fully potted	✓
Self priming	✓

SILENT+ MINI LIME SYSTEM OPTIONS

System	Colour	Part No.
Slimline	○ Ivory	FP3312
"	○ White	FP3319
BBJ (SpeedyDuct)	○ Ivory	FP3316
"	○ White	FP3320
Inoac	○ Ivory	FP3317
"	○ White	FP3321
Artiplastic	○ Ivory	FP3315
	○ White	FP3327
Optimal (EU ONLY)		
Silent+ Mini Lime Replacement†		FP3322

† Pump only – no trunking included

IN THE BOX

Silent+ Mini Lime pump (including 1.5m hard wired power cable) • Acoustic damper and 1m lime discharge tube with connector • 500mm Lime green inlet hose 14mm ID • 40mm Vinyl breather tube 6mm ID • Anti siphon device • Elbow front and back • 800mm Conduit front and back • Internal conduit sleeve (Slimline system only) • Gasket (Slimline, BBJ and Inoac/Inaba systems only) • Ceiling plate • Drain connector kit • Fixing kit • Install manual



Download manual at aspenpumps.com



View install video at aspenpumps.com

Information correct at time of going to press.



aspenpumps.com

+44 (0)1323 848842

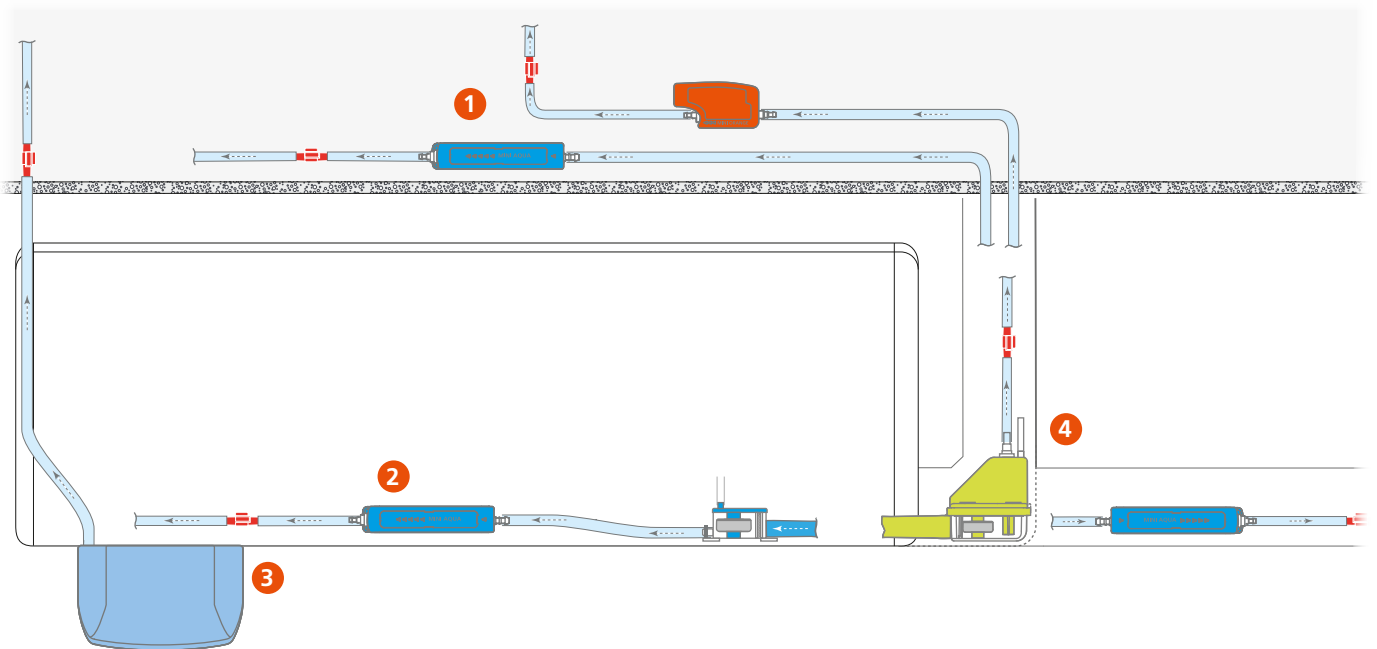
sales@aspenpumps.com

reliable | silent | simple

- Small & powerful
- Quiet & reliable
- Market leading
- Plug & play

Mini pumps Maximum power

Since the launch of the best selling Mini Orange, Aspen has become the global leader for mini condensate pumps. Mini pumps operate on a float switch mechanism which detects the presence of water in the drain pan, activating the pump. Aspen offer the most complete and high performance range of mini pumps in the world.



1 In the ceiling 2 In the AC unit 3 Below the AC unit 4 Within the trunking



AIR CONDITIONING



REFRIGERATION



HEATING



Mini Orange[®]

CONDENSATE REMOVAL PUMP



The world's best selling mini pump offers unrivalled reliability and performance.



12L/h max. flow



10m max. rec. head (flow rate 6L/h)



21dB(A) @ 1m

KEY FEATURES

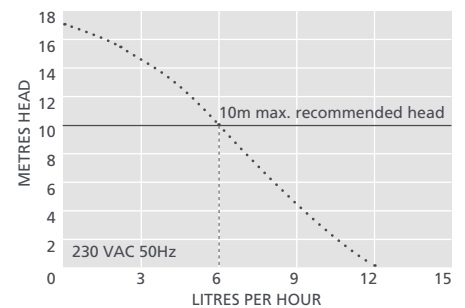
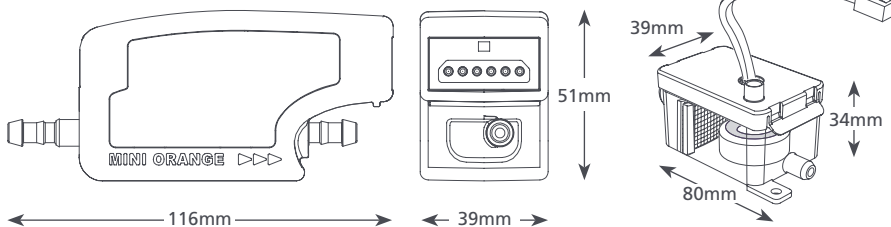
- Submersible secondary reservoir included
- Plug & play
- Anti siphon device

SUITABILITY

- Up to 16kW / 54,000Btu/h
- High wall split systems; Ducted units; Floor standing & Chassis units
- ✓ **Perfect for...** Smaller commercial & domestic units



0.25 kg†



MINI ORANGE @ 230 VAC 50Hz	
Max. flow	12L/h @ 0 head
Max. rec. head	10m
Max. suction lift	2m
dB(A) @ 1m	21
Power supply	230 VAC, 0.11A, 16W, 50/60Hz
Rated Class	Non continuous II appliance <input type="checkbox"/>
Max. unit output	16kW / 54,000Btu/h
Max. water temp	40°C / 104°F
Discharge tube	6mm ID
IP Protection	IP21
Safety switch	3.0A Normally closed
Thermal protection	✓
Fully potted	✓
Self priming	✓

MINI ORANGE OPTIONS	
Mini Orange (Europe)	FP2212
† Pump only	

IN THE BOX
Mini Orange pump • 1.5m Plug & play power cable • Reservoir • Reservoir lid with 1.5m sensor cable • Submersible reservoir • Anti siphon device • Float & filter • 1.5m Suction tube 6mm ID • 220mm Orange inlet hose 14mm ID • 150mm Vinyl breather tube 6mm ID • Drain connector kit • Fixing kit • Install manual

SUGGESTED XTRA ACCESSORIES		
Description		Part No.
1 Amp Fuse		FP2620
Tube To Soil Stack Adaptor		FP2038
Vinyl Tube Braided 1/4" (6mm)		AX5100
4.3m Mini/Maxi orange extension kit		FP2940

Download manual at aspenspumps.com
View install video at aspenspumps.com

For more installation accessories take a look at our Aspen Xtra range

Information correct at time of going to press.



aspenspumps.com

+44 (0)1323 848842

sales@aspenspumps.com

reliable | silent | simple



The ultra slim Mini Aqua is designed to fit where other's can't.



AIR CONDITIONING



REFRIGERATION



HEATING



Mini Aqua[®]

CONDENSATE REMOVAL PUMP

The world's slimmest condensate removal pump is designed to fit where other's can't!



12L/h max. flow



10m max. rec. head (flow rate 6L/h)



21dB(A) @ 1m

KEY FEATURES

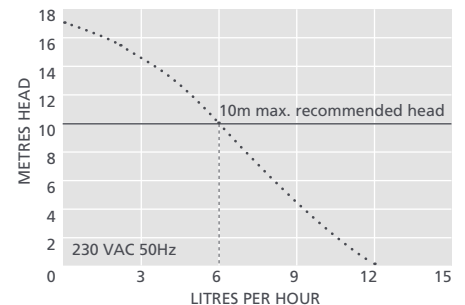
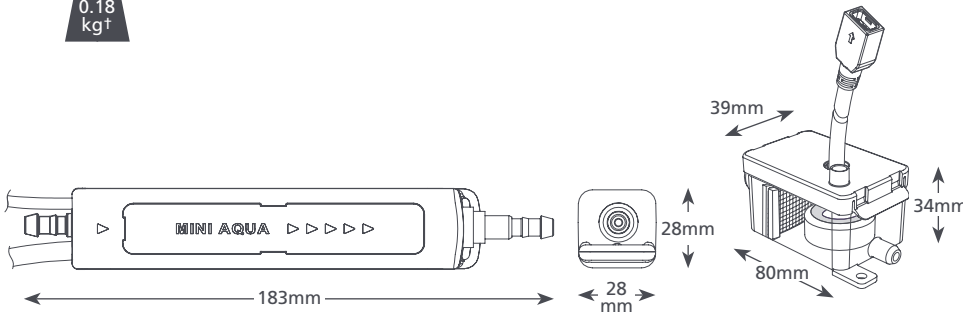
- Ultra slim
- High performance
- Plug & play
- Anti siphon device

SUITABILITY

- Up to 16kW / 54,000Btu/h
- High wall mini split systems; Ducted units; Floor standing & Chassis units
- ✓ **Perfect for...** installing directly inside the unit



0.18 kg†



MINI AQUA @ 230 VAC 50Hz

Max. flow	12L/h @ 0 head
Max. rec. head	10m
Max. suction lift	2m
dB(A) @ 1m	21
Power supply	230 VAC, 0.1A, 16W, 50/60Hz
Rated Class	Non continuous II appliance <input type="checkbox"/>
Max. unit output	16kW / 54,000Btu/h
Max. water temp	40°C / 104°F
Discharge tube	6mm ID
IP Protection	IP24
Safety switch	3.0A Normally closed
Thermal protection	✓
Fully potted	✓
Self priming	✓

MINI AQUA OPTIONS

Mini Aqua (Europe)	FP2406/2
† Pump only	

IN THE BOX

- Mini Aqua pump
- 1.5m Plug & play power cable
- Reservoir (inc. filter, float, lid)
- 150mm Vinyl breather tube 6mm ID
- Anti siphon device
- 1.5m Suction tube 6mm ID
- 220mm Blue inlet hose 14mm ID
- Drain connector kit
- Fixing kit
- Install manual

- 📖 Download manual at aspenspumps.com
- ▶ View install video at aspenspumps.com

SUGGESTED XTRA ACCESSORIES

Description	Part No.
1 Amp Fuse	FP2620
Tube To Soil Stack Adaptor	FP2038
Vinyl Tube Braided 1/4" (6mm)	AX5100
Inline Filter 16mm	FP2640

For more installation accessories take a look at our Aspen Xtra range

Information correct at time of going to press.



aspenspumps.com

+44 (0)1323 848842

sales@aspenspumps.com

reliable | silent | simple

The Mini Blanc is discreet and excellent for areas where regular ease of inspection and maintenance is needed.





AIR CONDITIONING



REFRIGERATION



HEATING



Mini Blanc[®]

CONDENSATE REMOVAL PUMP

The 'ultra quick fit' Mini Blanc is designed to be fitted beneath high wall indoor units and offers easy access for future maintenance.



12L/h max. flow



10m max. rec. head (flow rate 4L/h)



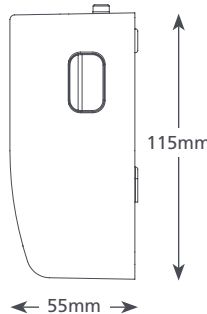
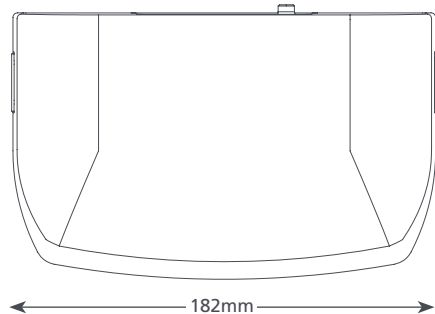
21dB(A) @ 1m

KEY FEATURES

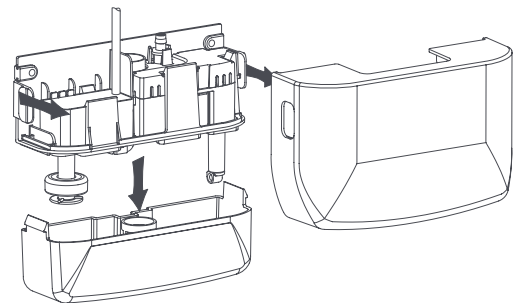
- Extra quick to fit
- Compact & discreet
- Clear removable reservoir
- Ultra quiet operation

SUITABILITY

- Up to 16kW / 54,000Btu/h
- High wall mini split systems
- ✓ **Perfect for...** Domestic use – where easy maintenance is key

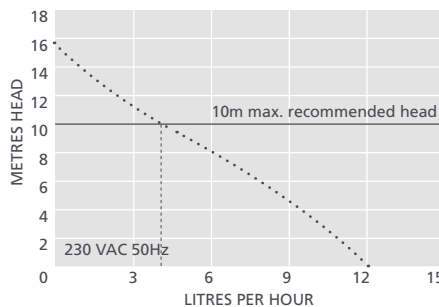


0.46 kg



MINI BLANC @ 230 VAC 50Hz

Max. flow	12L/h @ 0 head
Max. rec. head	10m
Tank capacity	0.24L
dB(A) @ 1m	21
Power supply	230 VAC, 0.11A, 19W 50/60Hz
Rated Class	Non continuous II appliance <input type="checkbox"/>
Max. unit output	16kW / 54,000Btu/h
Max. water temp	40°C / 104°F
Inlet/outlet	20mm in, 6mm out
IP Protection	IP21
Safety switch	3.0A Normally closed
Thermal protection	✓
Fully potted	Partially
Self priming	✓



SUGGESTED XTRA ACCESSORIES

Description	Part No.
1 Amp Fuse	FP2620
Tube To Soil Stack Adaptor	FP2038
Mini Blanc Ivory Cover	FP1037

Xtra For more installation accessories take a look at our Aspen Xtra range

MINI BLANC OPTIONS

Mini Blanc (Europe)	FP1080/2
---------------------	----------

IN THE BOX

Mini Blanc pump (including hard wired 1m power cable) • Anti siphon device • Drain connector kit • Fixing kit • Install manual

- Download manual at aspenspumps.com
- View install video at aspenspumps.com

Information correct at time of going to press.



aspenspumps.com

+44 (0)1323 848842

sales@aspenspumps.com

reliable | silent | simple



AIR CONDITIONING



REFRIGERATION



HEATING



Maxi Orange

CONDENSATE REMOVAL PUMP



Need more performance? Designed for larger units, the Maxi Orange pump gives you the extra power when you need it.



35L/h max. flow



15m max. rec. head (flow rate 10L/h)



35dB(A) @ 1m

KEY FEATURES

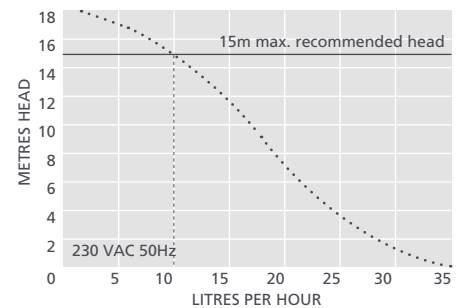
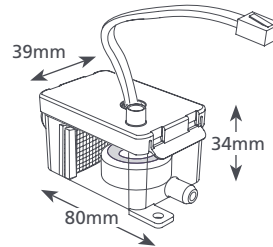
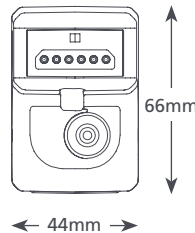
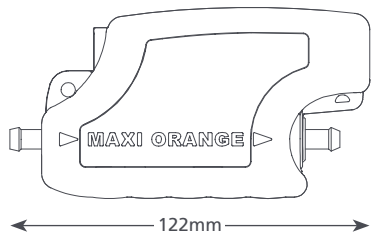
- High power motor
- Superior performance
- Submersible secondary reservoir included

SUITABILITY

- Up to 46kW / 157,000Btu/h
- High wall split systems; Ducted units; Floor standing & Chassis units
- ✓ **Perfect for...** Large commercial units



0.45 kg†



MAXI ORANGE @ 230 VAC 50Hz

Max. flow	35L/h @ 0 head
Max. rec. head	15m
Max. suction lift	2m
dB(A) @ 1m	35
Power supply	230 VAC, 0.11A, 16W, 50/60Hz
Rated Class	Non continuous II appliance <input type="checkbox"/>
Max. unit output	46kW / 157,000Btu/h
Max. water temp	40°C / 104°F
Discharge tube	6mm ID
IP Protection	IP21
Safety switch	3.0A Normally closed
Thermal protection	✓
Fully potted	✓
Self priming	✓

MAXI ORANGE OPTIONS

Maxi Orange (Europe)	FP2210
† Pump only	

SUGGESTED XTRA ACCESSORIES

Description	Part No.
1 Amp Fuse	FP2620
Tube To Soil Stack Adaptor	FP2038
Vinyl Tube Braided 1/4" (6mm)	AX5100
Inline Filter 16mm	FP2640
4.3m mini/maxi orange extension kit	FP2940

IN THE BOX

Maxi Orange pump • 1.5m Plug & play power cable • Reservoir • Reservoir lid with 1.5m sensor cable • Submersible reservoir • Anti siphon device • Float & filter • 1.5m Suction tube 6mm ID • 220mm Orange inlet hose 14mm ID • 150mm Vinyl breather tube 6mm ID • Drain connector kit • Fixing kit • Install manual

- Download manual at aspenspumps.com
- View install video at aspenspumps.com

Xtra For more installation accessories take a look at our Aspen Xtra range

Information correct at time of going to press.



AIR CONDITIONING



REFRIGERATION



HEATING



Maxi Lime

CONDENSATE REMOVAL PUMP

Designed for larger units & humid environments. The Maxi Lime elbow pump gives you supreme power when needed. ('Pump only pack' also available).



35L/h max. flow



15m max. rec. head (flow rate 10L/h)



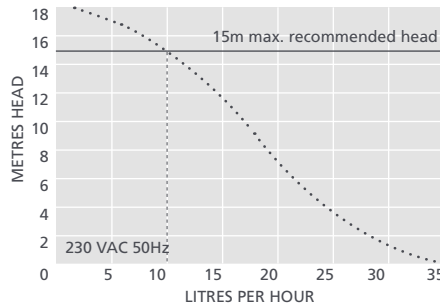
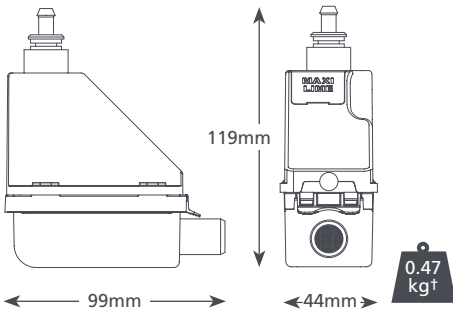
35dB(A) @ 1m

KEY FEATURES

- Sits in trunking elbow
- Left or right install
- Range of trunking systems
- Easy access for servicing

SUITABILITY

- Up to 46kW / 157,000Btu/h
- Large commercial AC units; High wall split systems



SUGGESTED XTRA ACCESSORIES

Description	Part No.
1 Amp Fuse	FP2620
Tube To Soil Stack Adaptor	FP2038
Vinyl Tube Braided 1/4" (6mm)	AX5100



For more installation accessories take a look at our Aspen Xtra range

MAXI LIME @ 230 VAC 50Hz

Max. flow	35L/h @ 0 head
Max. rec. head	15m
Max. suction lift	n/a
dB(A) @ 1m	35
Power supply	230 VAC, 0.1A, 16W, 50/60Hz
Rated Class	Non continuous II appliance <input type="checkbox"/>
Max. unit output	46kW / 157,000Btu/h
Max. water temp	40°C / 104°F
Discharge tube	6mm ID
IP Protection	IP24
Safety switch	3.0A Normally closed
Thermal protection	✓
Fully potted	✓
Self priming	✓

MAXI LIME SYSTEM OPTIONS

System	Colour	Part No.
BBJ (Airco)	Ivory	FP2213
Maxi Lime Replacement†		FP2215

† Pump only – no trunking included

IN THE BOX

Maxi Lime pump (inc. 750mm discharge tube with 6mm ID connector and 1.5m hard wired power cable) • 500mm Lime green inlet hose 14mm ID • 40mm Vinyl breather tube 6mm ID • Anti siphon device • Elbow front and back • 800mm conduit front and back • Gasket (BBJ and Inoac/Inaba systems only) • Ceiling plate • Drain connector kit • Fixing kit • Install manual

Download manual at aspenspumps.com

View install video at aspenspumps.com

Information correct at time of going to press.



aspenspumps.com

+44 (0)1323 848842

sales@aspenspumps.com

reliable | silent | simple

Easy maintenance

Time saving

High performance

Industry leading

Tank pumps

The best just got better

Our tank pump range is designed with you, the installer in mind. Easy to install and maintain, with features including easy clean tank, plug & play, twist & click non return valve and built in spirit level. When time is precious, Aspen tank pumps are installer friendly with unsurpassed performance as standard.



Mini Tank



Max Hi-Flow
(replaces Hi-flow 0.5L, 1L & 2L)



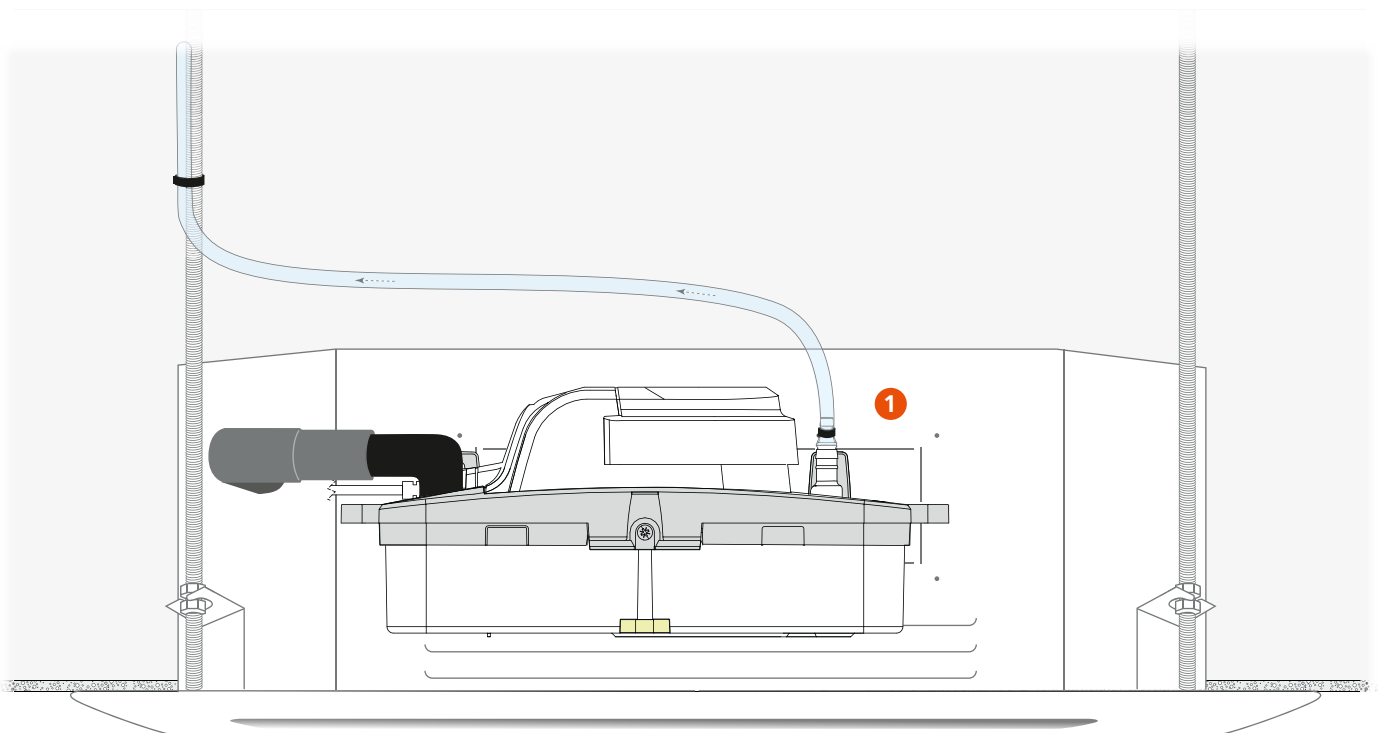
Hi-lift 1L & 2L



Heavy Duty 6 & 10



Hot Water Pumps



1 Max Hi-flow screw mounted to cassette unit



AIR CONDITIONING



REFRIGERATION



HEATING



Mini Tank

CONDENSATE REMOVAL PUMP



The new and improved Mini Tank pump can be wall mounted, floor mounted, in-pan or suspended on M8 / M10 rod. Using piston technology this is a compact, powerful and multi functional tank pump.



35L/h max. flow



15m max. rec. head (flow rate 10L/h)

KEY FEATURES

- Four ways to install
- Compact & discreet
- Can be located in drain pan
- Easy maintenance

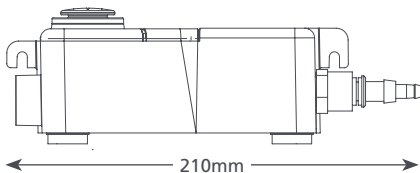
SUITABILITY

- Up to 46kW / 157,000Btu/h
- Ducted units; Floor standing & chassis units; Cassette units

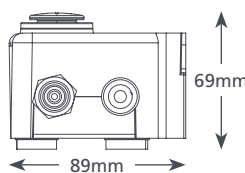
✓ Perfect for... Installation versatility



0.57 kg

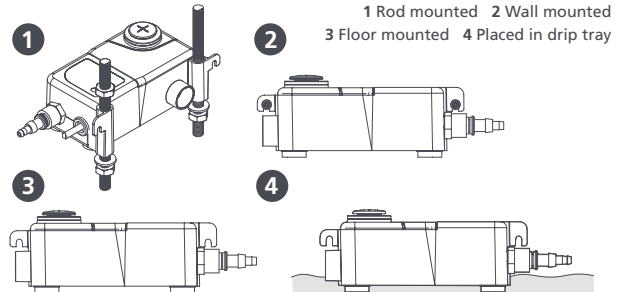


210mm



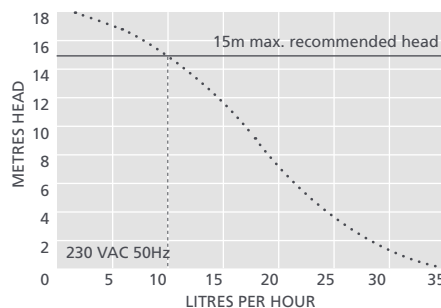
69mm

89mm



MINI TANK @ 230 VAC 50Hz

Max. flow	35L/h @ 0 head
Max. rec. head	15m
Tank capacity	0.24L
dB(A) @ 1m	35
Power supply	230 VAC, 0.1A, 16W, 50/60Hz
Rated Class	Non continuous II appliance <input type="checkbox"/>
Max. unit output	46kW / 157,000Btu/h
Max. water temp	40°C / 104°F
Inlets	x2 22mm, 12mm & 27mm
Outlets	6mm & 10mm
IP Protection	IP65
Safety switch	3.0A Normally closed
Thermal protection	✓
Fully potted	✓
Self priming	n/a



SUGGESTED XTRA ACCESSORIES

Description	Part No.
Tank pump connector 16mm-21mm	FP2011
Tube To Soil Stack Adaptor	FP2038
Vinyl Tube Braided 1/4" (6mm)	AX5200

Xtra For more installation accessories take a look at our Aspen Xtra range

MINI TANK OPTIONS

Mini Tank	FP1056/2
-----------	----------

IN THE BOX

Mini Tank pump (including hard wired 1.5m power cable) • x2 Rubber adaptors (21.5mm & 31mm) • Anti siphon device • Fixing kit • Install manual

- Download manual at aspenpumps.com
- View install video at aspenpumps.com

Information correct at time of going to press.



aspenpumps.com

+44 (0)1323 848842

sales@aspenpumps.com

reliable | silent | simple



The lowest dB(A) & best IP rating (IP24) of any tank pump, the Max Hi-Flow is the quietest & safest pump in its class.



AIR CONDITIONING



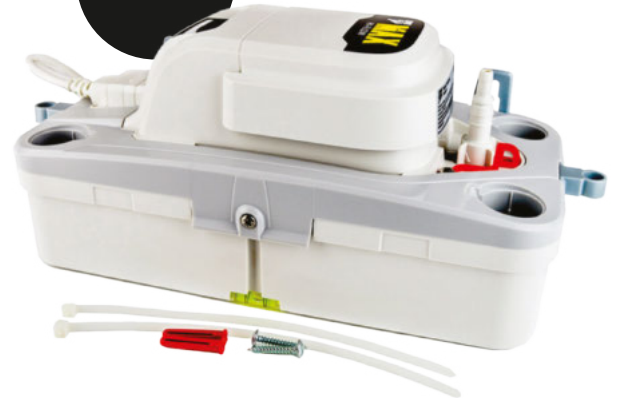
REFRIGERATION



HEATING



NEW!



MAX Hi-Flow

CONDENSATE REMOVAL PUMP

The best in class Max Hi-Flow tank pump carries on the Aspen Pumps tradition of build quality & high performance. With the lowest dB(A) rating & best IP rating (IP24 splash proof) of any tank pump, the Max Hi-Flow is the quietest & safest pump in its class.



550 L/h max. flow



5m max. rec. head (flow rate 55L/h)

KEY FEATURES

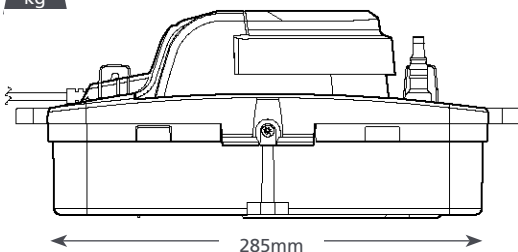
- IP24 - Splash proof
- Easy access tank
- Built in spirit level
- Plug & play

SUITABILITY

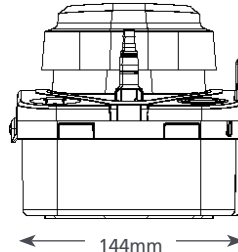
- Up to 733kW / 2.5m Btu/h
- Ducted units; Floor standing & Chassis units; Cassette units



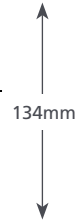
1.65 kg



285mm

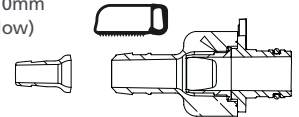


144mm



134mm

Non-return valve can be cut from 6mm to 10mm (see graphs below)



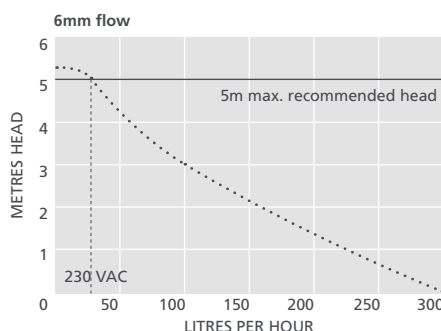
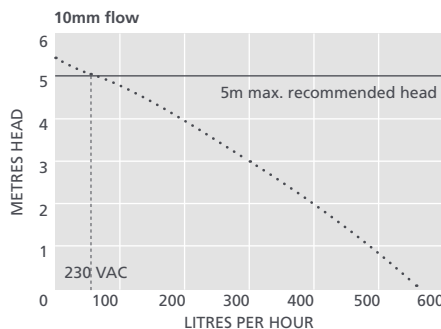
TANK PUMP OPTIONS

MAX Hi-Flow

FP3349

MAX HI-FLOW (10MM FLOW) @ 230 VAC 50HZ

Max. flow	550L/h @ 0 head
Max. rec. head	5m
Tank capacity	1.7L
dB(A)@1m	44
Power supply	230 VAC, 0.8A, 50Hz
Rated Class	Non Continuous I appliance
Max. unit output	733kW / 2.5m Btu/h
Max. water temp	40°C / 104°F
Inlets	x4 21-27mm
Outlets	6mm & 10mm
IP Protection	IP24
Safety switch	3A Normally closed
Thermal protection	✓
Fully potted	n/a
Self priming	n/a



SUGGESTED XTRA ACCESSORIES

Description	Part No.
Rubber adaptor	FP2013
Rigid pipe 15mm / 3/4"	B7501
Hose to waste	FP2038



For more installation accessories take a look at our Aspen Xtra range

IN THE BOX

Max Hi-Flow tank pump • Plug & Play power cable • Fixing kit incl. rod mount and wall mount clips • Install manual

Download manual at aspenpumps.com

View install video at aspenpumps.com

Information correct at time of going to press.



aspenpumps.com

+44 (0)1323 848842

sales@aspenpumps.com

reliable | silent | simple



AIR CONDITIONING



REFRIGERATION



HEATING



Hi-Lift 1L & 2L

CONDENSATE REMOVAL PUMP

The world's only persaltic tank pump offers unsurpassed high head and unmatched reliability.



11L/h max. flow



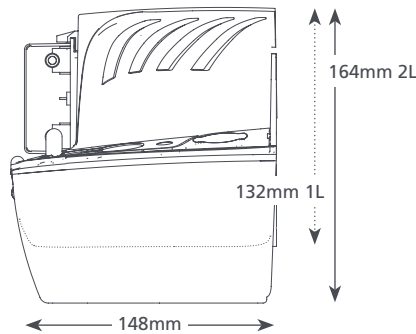
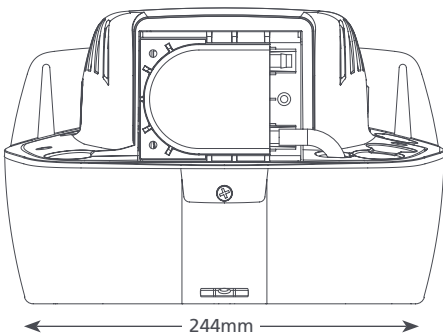
12m max. head (flow rate 11L/h)

KEY FEATURES

- High head
- Easy fit & maintenance
- Easy access clean tray
- Built in spirit level

SUITABILITY

- Up to 14kW / 47,000Btu/h
- Ducted units; Floor standing & Chassis units; Cassette units; Refrigerated units / cold store

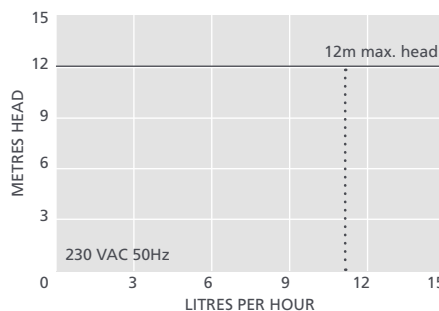


1.75 kg
1L

1.80 kg
2L

HI-LIFT 1L & 2L @ 230 VAC 50Hz

Max. flow	11L/h @ 0 head
Max. head	12m
Tank capacity	1L & 2L
dB(A) @ 1m	51
Power supply	230 VAC, 0.4A, 50/60Hz
Rated	Continuously
Class	I appliance
Max. unit output	14kW / 47,000Btu/h
Max. water temp	40°C / 104°F
Inlet/outlet	x3 25mm in, 6mm out
IP Protection	IP20
Safety switch	3.0A Normally closed
Thermal protection	✓
Fully potted	n/a
Self priming	n/a



SUGGESTED XTRA ACCESSORIES

Description	Part No.
Tank pump connector 16mm-21mm	FP2011
Tube To Soil Stack Adaptor	FP2038
Vinyl Tube Braided 1/4" (6mm)	AX5110



For more installation accessories take a look at our Aspen Xtra range

IN THE BOX

Hi-lift 1L or 2L pump • 2m Plug & play power cable • Fixing kit • Install manual

Download manual at aspenspumps.com

HI-LIFT 1L & 2L OPTIONS

Hi-lift 1L	FP2099/2
Hi-lift 2L	FP2071/2

Information correct at time of going to press.



AIR CONDITIONING



REFRIGERATION



HEATING

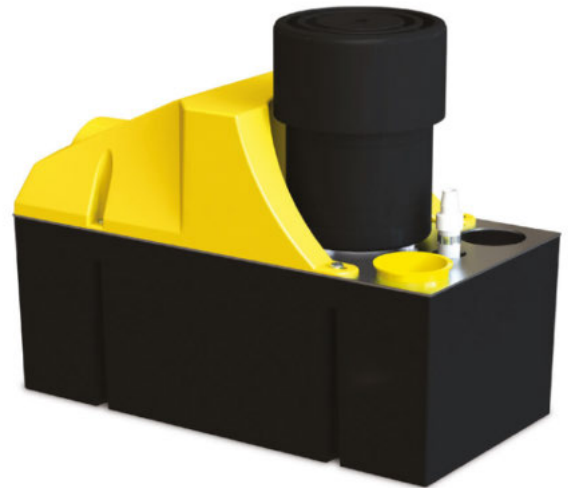


EN

Heavy Duty 6 & 10

CONDENSATE REMOVAL PUMP

With an impressive flow rate, these robust and reliable Heavy Duty pumps are perfect for the rapid removal of large quantities of condensate water.



HD6: 900L/h max. flow
HD10: 1070L/h max. flow



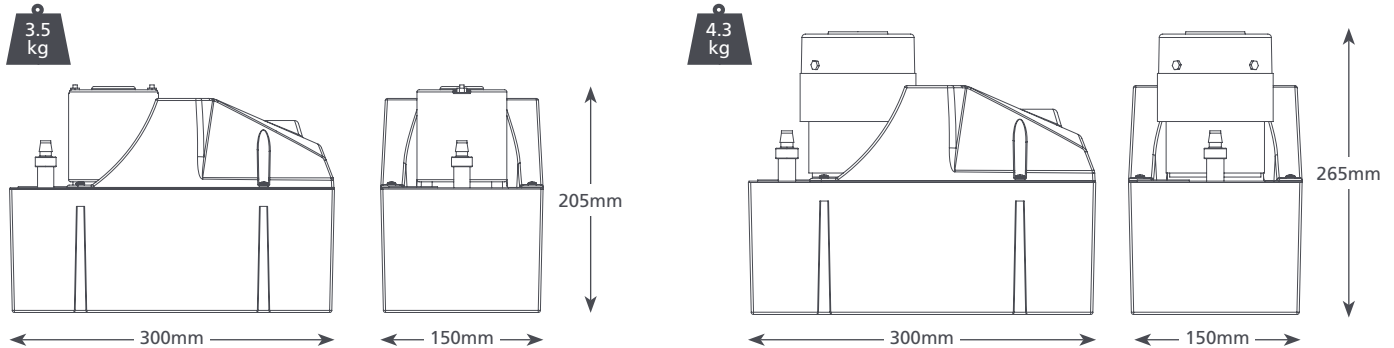
HD6: 6m max. rec. head
(flow rate 180L/h)
HD10: 9m max. rec. head
(flow rate 100L/h)

KEY FEATURES

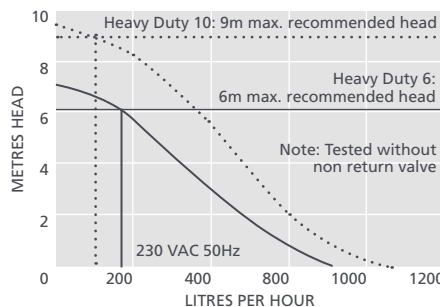
- High flow rate
- Non return valve
- Easy installation
- 4 litre tank capacity

SUITABILITY

- HD6: Up to 1200kW / 4m Btu/h
HD10: Up to 1460kW / 4.9m Btu/h
- Dehumidifiers; Air handling units (AHUs)



HEAVY DUTY 6 & 10 @ 230 VAC 50Hz	
Max. flow	HD6: 900L/h, HD10: 1070L/h
Max. rec. head	HD6: 6m, HD10: 9m
Tank capacity	4L
dB(A) @ 1m	HD6: 60, HD10: 64
Power supply	HD6: 230 VAC, 1.5A, 50Hz HD10: 230 VAC, 0.38A, 50Hz
Rated	HD6: Non continuous HD10: Continuous
Class	I appliance
Max. unit output	HD6: 1200kW / 4m Btu/h HD10: 1460kW / 4.9m Btu/h
Max. water temp	40°C / 104°F
Inlet/outlet	x2 40mm in, 10mm out
IP Protection	IP20
Safety switch	3.0A Normally closed



SUGGESTED XTRA ACCESSORIES	
Description	Part No.
Pipe to Pipe connector 21mm-40mm	FP2018
Tube To Soil Stack Adaptor	FP2038
Vinyl Tube Braided 3/8" (10mm)	AX5101

Xtra For more installation accessories take a look at our Aspen Xtra range

HEAVY DUTY 6 & 10 OPTIONS	
Heavy Duty 6	FP2074/2
Heavy Duty 10	FP2066/2

IN THE BOX
Heavy Duty 6 or 10 pump • 2m power cable • Install manual
Download manual at aspenspumps.com

Information correct at time of going to press.



aspenspumps.com

+44 (0)1323 848842

sales@aspenspumps.com

reliable | silent | simple



AIR CONDITIONING



REFRIGERATION



HEATING



Hot Water Economy

CONDENSATE REMOVAL PUMP

Built of heat resistant cyclopy, this economy pump is designed to handle high water temperatures.



900L/h max. flow



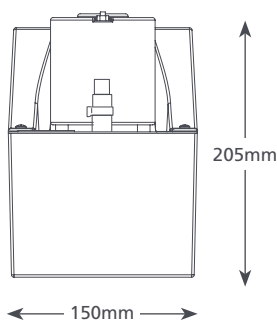
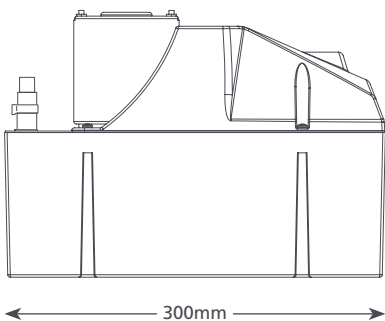
6m max. rec. head (flow rate 180L/h)

KEY FEATURES

- High performance
- Handles 100°C water
- 2 inlets

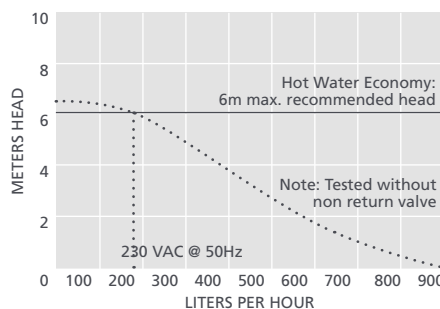
SUITABILITY

- Up to 1200kW / 4m Btu/h
- Humidifiers; Boilers; Refrigeration; Air handling units (AHUs)



HOT WATER ECONOMY @ 230 VAC 50Hz

Max. flow	900L/h @ 0 head
Max. rec. head	6m
Tank capacity	4L
dB(A) @ 1m	60
Power supply	230 VAC, 1.5A, 50Hz
Rated	Non continuous
Class	I appliance
Max. unit output	1200kW / 4m Btu/h
Max. water temp	100°C / 212°F
Inlet/outlet size	x2 40mm in, 10mm out
IP Protection	IP20
Safety switch	3.0A Normally closed
Thermal protection	✓
Fully potted	n/a
Self priming	n/a



SUGGESTED XTRA ACCESSORIES

Description	Part No.
Tank pump connector 16mm–21mm	FP2011
Tube To Soil Stack Adaptor	FP2038
Vinyl Tube Braided 3/8" (10mm)	AX5111



For more installation accessories take a look at our Aspen Xtra range

HOT WATER ECONOMY OPTIONS

Hot Water Economy	FP2092/2
-------------------	----------

IN THE BOX

- Hot Water Economy Pump • 2m power cable
- Install manual

Download manual at aspenspumps.com

Information correct at time of going to press.



AIR CONDITIONING



REFRIGERATION



HEATING



EN

Hot Water Heavy Duty

CONDENSATE REMOVAL PUMP

The Hot Water Heavy Duty pump is designed to handle 80°C water and with an outstanding 1800L/h water flow rate. No job is too big!



1800L/h max. flow



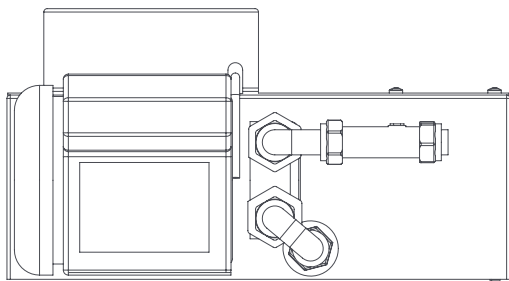
15m max. rec. head (flow rate 10L/h)

KEY FEATURES

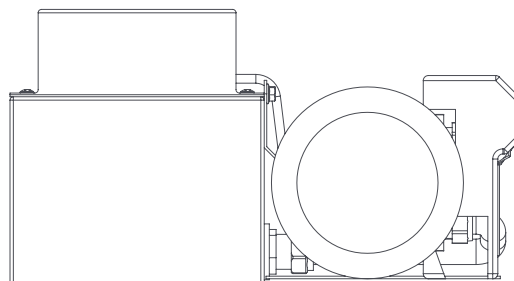
- High flow rate
- Handles 80°C water
- Non return valve
- Easy installation

SUITABILITY

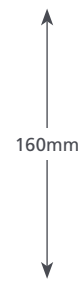
- Up to 2400kW / 8m Btu/h
- Air handling units (AHUs); Humidifiers, Boilers; Refrigeration



320mm



355mm

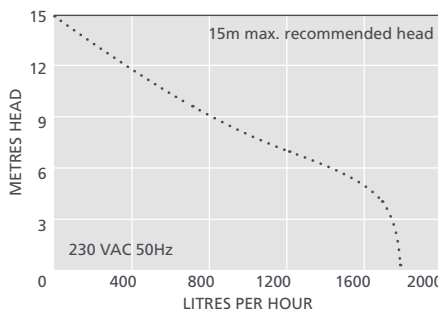


160mm

7 kg

HOT WATER HEAVY DUTY @ 230 VAC 50Hz

Max. flow	1800L/h @ 0 head
Max. rec. head	15m
Tank capacity	5L
dB(A) @ 1m	63
Power supply	230 VAC, 1.5A, 50/60Hz
Rated Class	Continuously I appliance
Max. unit output	2400kW / 8m Btu/h
Max. water temp	80°C / 176°F
Inlet/outlet size	x2 40mm in, 15mm out
IP Protection	IP21
Safety switch	3.0A Normally closed
Thermal protection	✓
Fully potted	n/a
Self priming	n/a



SUGGESTED XTRA ACCESSORIES

Description	Part No.
1 Amp Fuse	FP2620
Pipe to Pipe adaptor 21mm-40mm	FP2018

Xtra For more installation accessories take a look at our Aspen Xtra range

HOT WATER HEAVY DUTY OPTIONS

Hot Water Heavy Duty FP2132

IN THE BOX

Hot Water Heavy Duty pump (including non-return valve) • 2m power cable • Install manual

Download manual at aspenspumps.com

Information correct at time of going to press.



aspenspumps.com

+44 (0)1323 848842

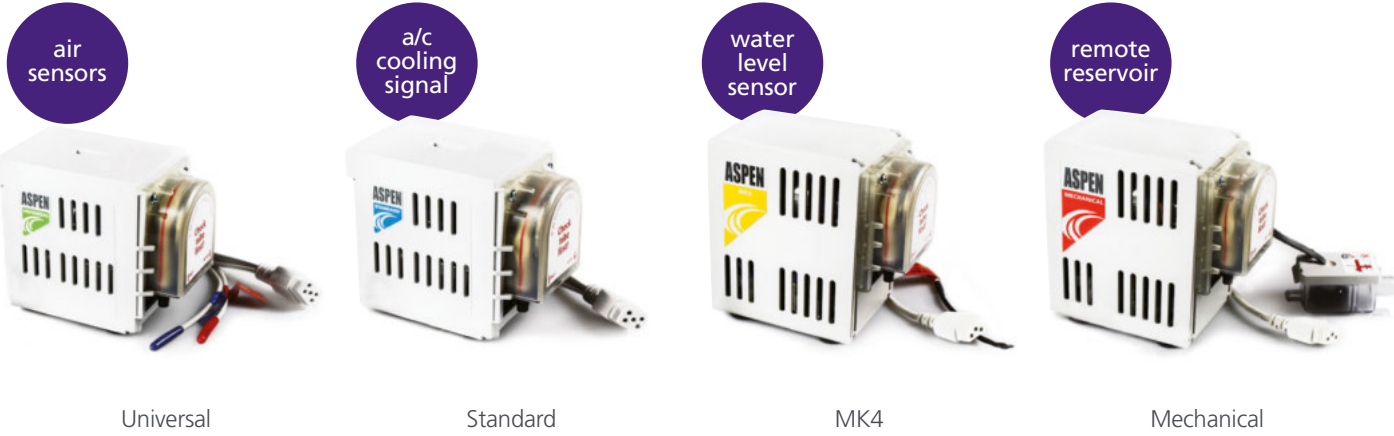
sales@aspenspumps.com

reliable | silent | simple

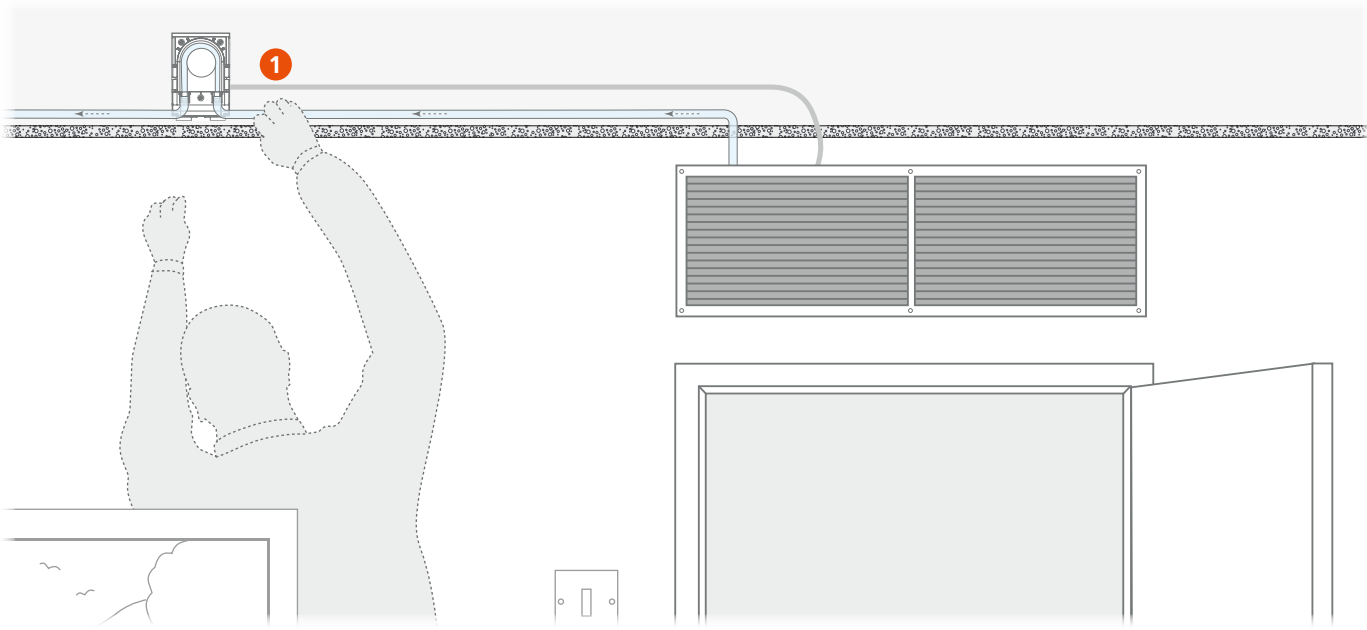
- Remote install
- Ultra reliable
- Constant flow rate
- Can run dry

Peristaltic pumps Moving forward

Our peristaltic pump range is the 'best of the best'. Offering unrivalled remote install possibilities, they can be placed as far as 8 metres* from the AC unit without affecting performance. Perfect for spaces which require unobtrusive maintenance access (eg hotels, hospitals). Handling dirty water and with the added benefit that they can run dry, our peristaltic pump range is ideal for commercial remote applications.



*Universal: optional 8m cable available separately



1 Remote access with minimal disturbance. Pump placed remotely from AC unit eg. above ceiling in hallway of hotel



AIR CONDITIONING



REFRIGERATION



HEATING



Universal

CONDENSATE REMOVAL PUMP



The top selling Universal is operated by two air temperature sensors. The peristaltic rotary movement creates a continuous pressure meaning the pump can be sited 8m* away from the source with no effect in performance.



6.5L/h max. flow



12m max. head (flow rate 6.5L/h)

KEY FEATURES

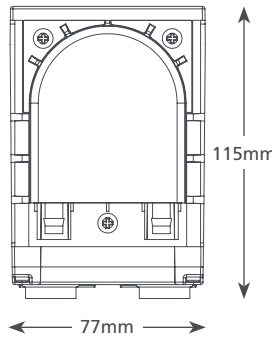
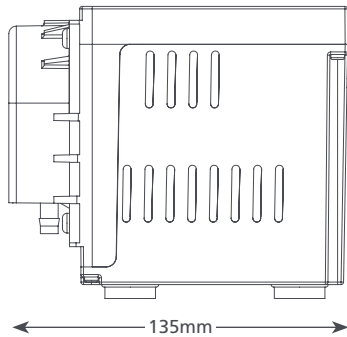
- Air temp. sensor operated
- Remote install possible
- Pumps contaminated water
- Can run dry

SUITABILITY

- Up to 8.5kW / 29,000Btu/h
- High wall split systems; Ducted units; Floor standing & Chassis units
- ✓ **Perfect for...** environments where consistent climate control is critical

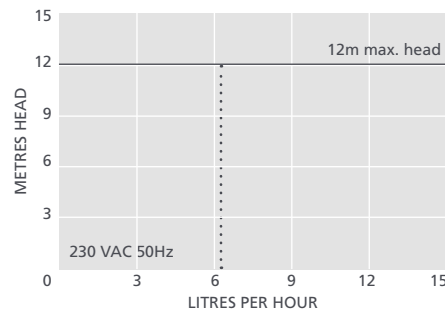


*Universal: optional 8m cable available separately



1.35 kg

UNIVERSAL @ 230 VAC 50Hz	
Max. flow	6.5L/h @ 12m head
Max. head	12m
Max. suction lift	3m
dB(A) @ 1m	47
Power supply	230 VAC, 0.2A, 50/60Hz
Rated Class	Continuously I appliance
Max. unit output	8.5kW / 29,000Btu/h
Max. water temp	40°C / 104°F
Inlet/outlet	6mm ID
IP Protection	IP21
Safety switch	n/a
Thermal protection	✓
Fully potted	n/a
Self priming	✓



SUGGESTED XTRA ACCESSORIES	
Description	Part No.
Peri Spare Tube Kit	FP1282
1 Amp Fuse	FP2620
Tube To Soil Stack Adaptor	FP2038

Xtra For more installation accessories take a look at our Aspen Xtra range

UNIVERSAL OPTIONS	
Universal	FP2082/2

IN THE BOX
Universal pump • 3m (optional 8m) Plug & play power / sensor cable • Wall mounted bracket • Fixing kit • Install manual

- Download manual at aspenspumps.com
- View install video at aspenspumps.com

Information correct at time of going to press.



aspenspumps.com

+44 (0)1323 848842

sales@aspenspumps.com

reliable | silent | simple



AIR CONDITIONING



REFRIGERATION



HEATING



Standard

CONDENSATE REMOVAL PUMP



Operated by an air conditioning cooling signal, the Standard peristaltic sets the standard for reliability. The remote install options means minimum future maintenance disruption.



6.5L/h max. flow



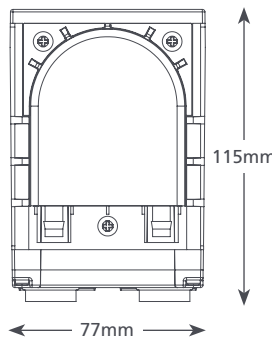
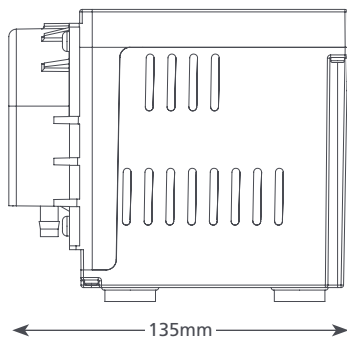
12m max. head
(flow rate 6.5L/h)

KEY FEATURES

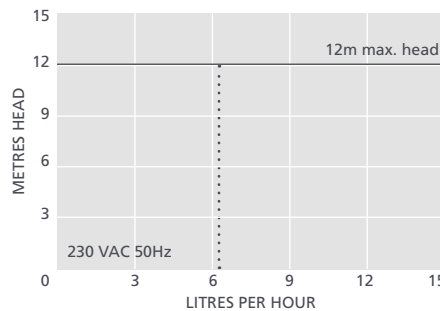
- AC cooling signal operated
- Remote install possible
- Pumps contaminated water
- Can run dry

SUITABILITY

- Up to 8.5kW / 29,000Btu/h
- High wall split systems; Ducted units; Floor standing & Chassis units



STANDARD @ 230 VAC 50Hz	
Max. flow	6.5L/h @ 12m head
Max. head	12m
Max. suction lift	3m
dB(A) @ 1m	47
Power supply	230 VAC, 0.2A, 50-60Hz
Rated	Continuously
Class	I appliance
Max. unit output	8.5kW / 29,000Btu/h
Max. water temp	40°C / 104°F
Inlet/outlet	6mm ID
IP Protection	IP21
Safety switch	n/a
Thermal protection	✓
Fully potted	n/a
Self priming	✓



STANDARD OPTIONS

Standard	FP2081/2
----------	----------

SUGGESTED XTRA ACCESSORIES

Description	Part No.
Peri Spare Tube Kit	FP1282
1 Amp Fuse	FP2620
Tube To Soil Stack Adaptor	FP2038

Xtra For more installation accessories take a look at our Aspen Xtra range

IN THE BOX

- Standard pump
- 2m Plug & play power cable
- Wall mounted bracket
- Fixing kit
- Install manual

- 📖 Download manual at aspenspumps.com
- ▶ View install video at aspenspumps.com

Information correct at time of going to press.



AIR CONDITIONING



REFRIGERATION



HEATING



MK4

CONDENSATE REMOVAL PUMP



The MK4 peristaltic is operated using two water sensors. The lower sensor comes into contact with water, the heat conductivity from that sensor provides a temperature difference between the second – energising the pump.



6.5L/h max. flow



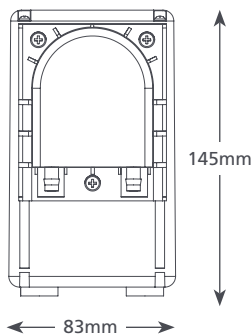
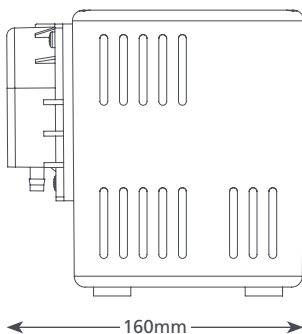
12m max. head (flow rate 6.5L/h)

KEY FEATURES

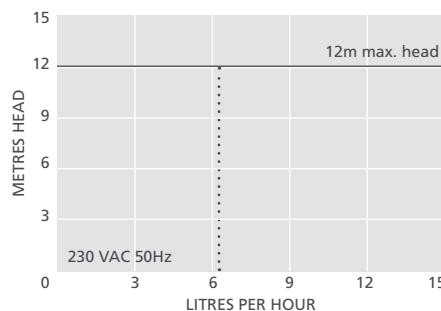
- Water sensor operated
- Remote install possible
- Pumps contaminated water
- Can run dry

SUITABILITY

- Up to 8.5kW / 29,000Btu/h
- High Wall Split Systems; Ducted units; Floor standing & Chassis units



MK4 @ 230 VAC 50Hz	
Max. flow	6.5L/h @ 12m head
Max. head	12m
Max. suction lift	3m
dB(A) @ 1m	47
Power supply	230 VAC, 0.2A, 50/60Hz
Rated	Continuously
Class	I appliance
Max. unit output	8.5kW / 29,000Btu/h
Max. water temp	40°C / 104°F
Inlet/outlet	6mm ID
IP Protection	IP21
Safety switch	n/a
Thermal protection	✓
Fully potted	n/a
Self priming	✓



SUGGESTED XTRA ACCESSORIES

Description	Part No.
Peri Spare Tube Kit	FP1282
1 Amp Fuse	FP2620
Tube To Soil Stack Adaptor	FP2038

Xtra For more installation accessories take a look at our Aspen Xtra range

MK4 OPTIONS

MK4	FP2080
-----	--------

IN THE BOX

MK4 pump • 2m Plug & play power cable • Wall mounted bracket • Fixing kit • Install manual

Download manual at aspenpumps.com

View install video at aspenpumps.com

Information correct at time of going to press.



aspenpumps.com

+44 (0)1323 848842

sales@aspenpumps.com

reliable | silent | simple



AIR CONDITIONING



REFRIGERATION



HEATING



Mechanical

CONDENSATE REMOVAL PUMP



Bringing mini pump and peristaltic pump technology together. Simply position the remote reservoir (float switch) in the condensate tray or fix to the drain-pipe connection (depending on chosen reservoir). Alarm option available.



6.5L/h max. flow



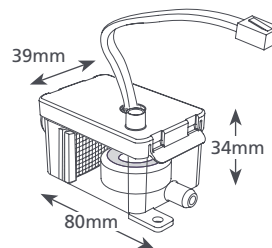
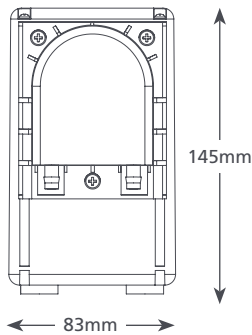
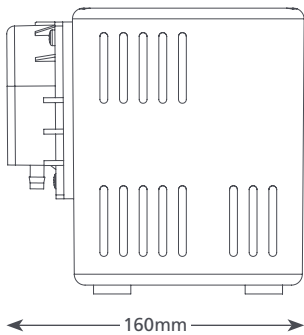
12m max. head (flow rate 6.5L/h)

KEY FEATURES

- Float switch operated
- Remote install possible
- Submersible secondary reservoir included

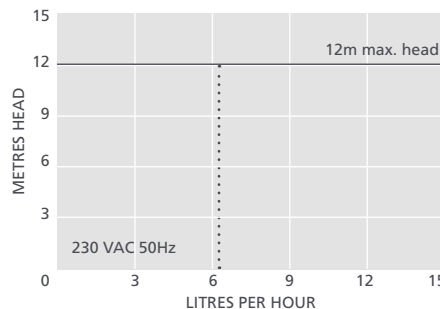
SUITABILITY

- Up to 8.5kW / 29,000Btu/h
- High wall split systems; Ducted units; Floor standing & Chassis units



1.7 kg

MECHANICAL @ 230 VAC 50Hz	
Max. flow	6.5L/h @ 12m head
Max. head	12m
Max. suction lift	3m
dB(A) @ 1m	47
Power supply	230 VAC, 0.2A, 50/60Hz
Rated	Continuously
Class	I appliance
Max. unit output	8.5kW / 29,000Btu/h
Max. water temp	40°C / 104°F
Inlet/outlet	6mm ID
IP Protection	IP21
Safety switch	FP2078 n/a, FP2079 ✓
Thermal protection	✓
Fully potted	n/a
Self priming	✓



SUGGESTED XTRA ACCESSORIES

Description	Part No.
Peri Spare Tube Kit	FP1282
1 Amp Fuse	FP2620
Tube To Soil Stack Adaptor	FP2038

Xtra For more installation accessories take a look at our Aspen Xtra range

MECHANICAL OPTIONS

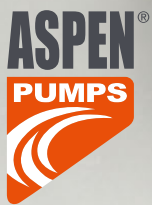
Mechanical	FP2078
Mechanical with alarm	FP2079

IN THE BOX

Mechanical pump • 2m Plug & play power cable • Reservoir • Reservoir lid with 3m Float switch cable • Submersible reservoir • Wall mounted bracket • Fixing kit • Install manual

- Download manual at aspenspumps.com
- View install video at aspenspumps.com

Information correct at time of going to press.



Make training your first tool

Did you know Aspen offers a full range of training and support? Find out how we can help you make the most of our range and achieve best practice installs.

- On & offsite training schools
- Online tutorials
- Technical helpline
- Educational marketing support
- Trade counter days & breakfast mornings

+44 (0) 1323 848842 sales@aspenspumps.com

ASPENPUMPS.COM
reliable | silent | simple



Filters debris

Easy clean

Large capacity

Inlet options

Supermarket pumps Leading the market

Designed for retail chiller cabinets, this range of pumps is extremely easy to install and maintain. Placed directly below the refrigeration unit they remove water during the defrost cycle. The Low Profile ERRP, ERRP and Cold Cabinet all feature a unique debris filter, whilst the Macerator features a filter blade to stop the pumps from clogging with food debris.



Low Profile ERRP



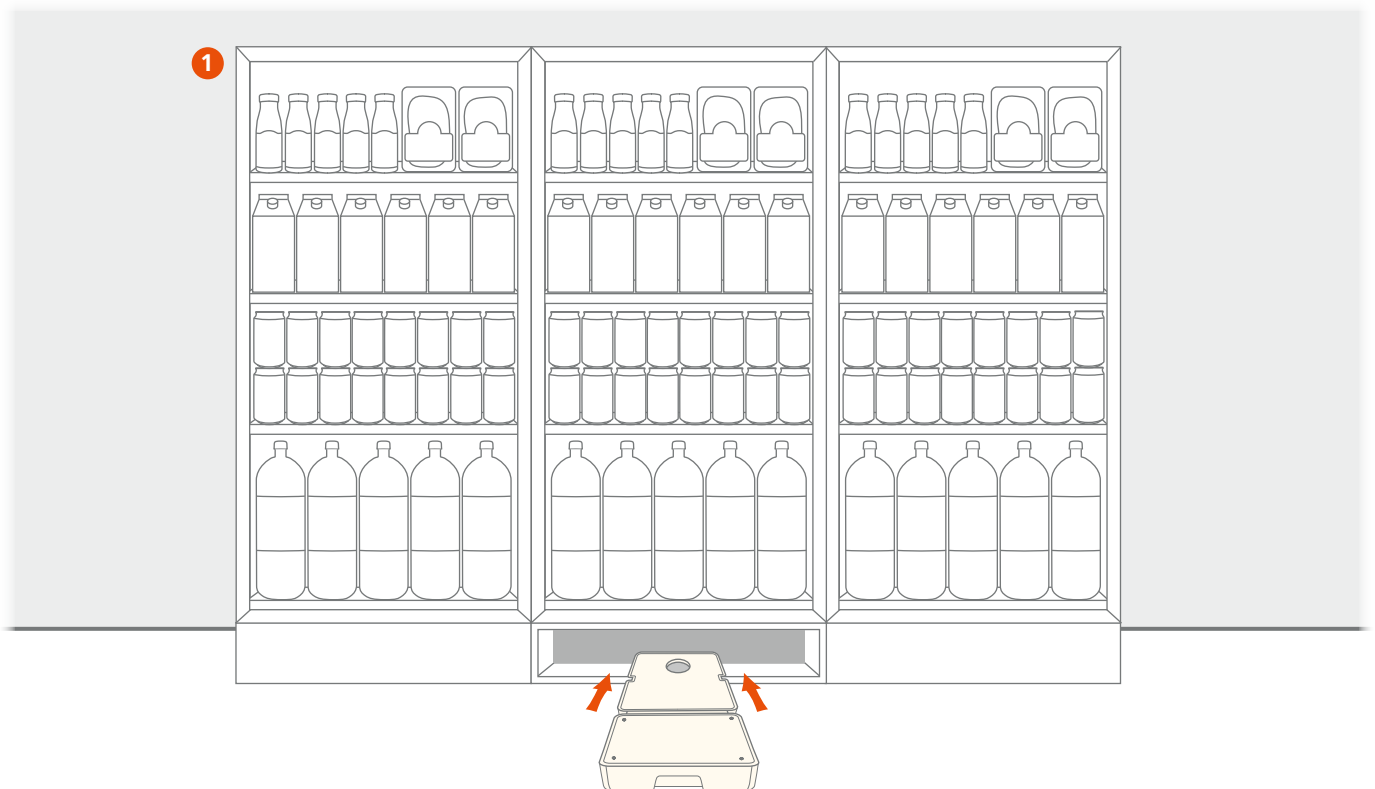
ERRP



Cold Cabinet



Macerator 4L & 10L



1 All our refrigeration pumps simply fit beneath the refrigeration unit



AIR CONDITIONING



REFRIGERATION



HEATING



Low Profile ERRP

CONDENSATE REMOVAL PUMP

Designed exclusively to fit underneath retail refrigeration cabinets the lightweight plastic ERRP (Economical Retail Refrigeration Pump) allows for the removal of defrost and contaminated water.



190L/h max. flow



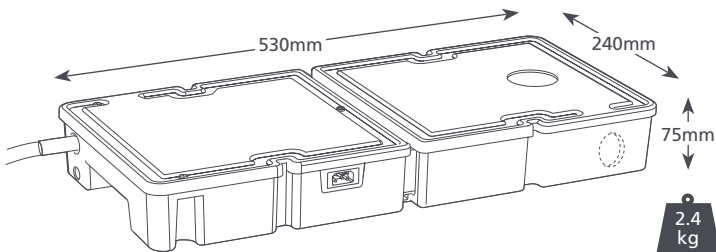
21m max. rec. head (flow rate 10L/h)

KEY FEATURES

- Lightweight & slim
- Easy to clean and carry
- Filter to catch debris
- Plug & play

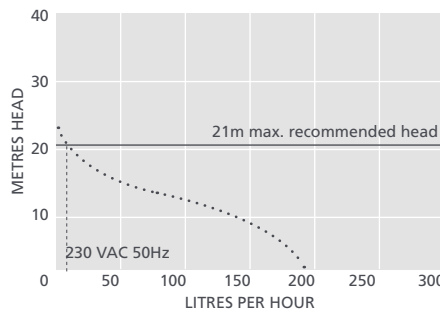
SUITABILITY

- Refrigeration units; cold store cabinets



LOW PROFILE ERRP @ 230 VAC 50Hz

Max. flow	190L/h @ 0 head
Max. rec. head	21m
Tank capacity	3.5L
dB(A) @ 1m	60
Power supply	230 VAC, 0.2A, 50/60Hz
Rated	Non continuous
Class	I appliance
Max. unit output	n/a
Max. water temp	40°C / 104°F
Inlet/outlet	50mm in, 10mm out
IP Protection	IP24
Safety switch	3.0A Normally closed
Thermal protection	✓
Fully potted	n/a
Self priming	n/a



SUGGESTED XTRA ACCESSORIES

Description	Part No.
1 Amp Fuse	FP2620
Tube To Soil Stack Adaptor	FP2038
Vinyl Tube Braided 3/8" (10mm)	AX5101
StayClean Strips	FP1248

Xtra For more installation accessories take a look at our Aspen Xtra range

LOW PROFILE ERRP OPTIONS

Low Profile ERRP – top inlet	FP2597
Low Profile ERRP – side inlet	FP2805

* Side inlet only

IN THE BOX

Low Profile ERRP pump • 2m Plug & play power cable • 1 1/2" BSP connector (for 40mm ID waste pipe) • Install manual

Download manual at aspenpumps.com

Information correct at time of going to press.



aspenpumps.com

+44 (0)1323 848842

sales@aspenpumps.com

reliable | silent | simple



AIR CONDITIONING



REFRIGERATION



HEATING



ERRP

CONDENSATE REMOVAL PUMP

Made of robust plastic, the lightweight ERRP (Economical Retail Refrigeration Pump) effectively pumps away defrost water and filters debris.



225L/h max. flow



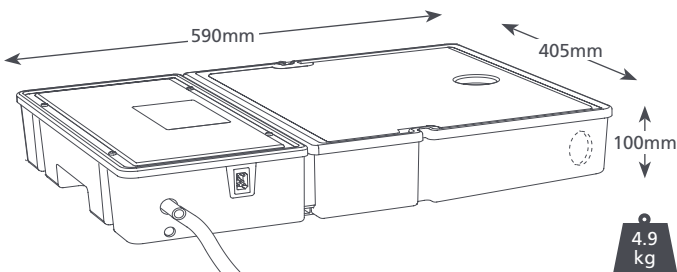
35m max. rec. head (flow rate 25L/h)

KEY FEATURES

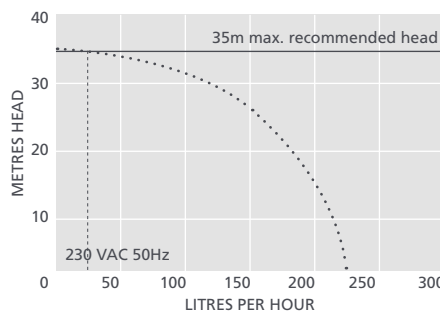
- Top & side inlet options
- Easy to clean & carry
- Filter to catch debris
- Plug & play

SUITABILITY

- Refrigeration units; cold store cabinets
- ✓ **Perfect for...** Multiple refrigeration units



ERRP @ 230 VAC 50Hz	
Max. flow	225L/h @ 0 head
Max. rec. head	35m
Tank capacity	11L
dB(A) @ 1m	60
Power supply	230 VAC, 0.2A, 50/60Hz
Rated	Non continuous
Class	I appliance
Max. unit output	n/a
Max. water temp	40°C / 104°F
Inlet/outlet	50mm in, 10mm out
IP Protection	IP24
Safety switch	3.0A Normally closed
Thermal protection	✓
Fully potted	n/a
Self priming	n/a



SUGGESTED XTRA ACCESSORIES	
Description	Part No.
1 Amp Fuse	FP2620
Tube To Soil Stack Adaptor	FP2038
Vinyl Tube Braided 3/8" (10mm)	AX5101
StayClean Strips	FP1248

Xtra For more installation accessories take a look at our Aspen Xtra range

ERRP OPTIONS	
ERRP – top inlet	FP2318
ERRP – side inlet	FP2320
* Side inlet only	

IN THE BOX
ERRP pump • 2m Plug & play power cable • 1 1/2" BSP connector (for 40mm ID waste pipe)* • Install manual

Download manual at aspenspumps.com

Information correct at time of going to press.



AIR CONDITIONING



REFRIGERATION



HEATING



Cold Cabinet

CONDENSATE REMOVAL PUMP

A superior stainless steel refrigeration pump built to last. Designed to fit beneath refrigeration units, it pumps away defrost water and filters debris.



225L/h max. flow



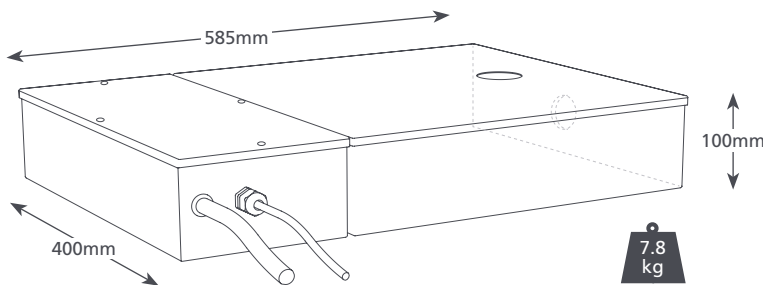
35m max. rec. head (flow rate 10L/h)

KEY FEATURES

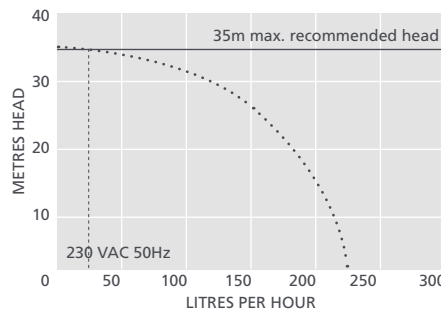
- Top & side inlet options
- Large reservoir
- Stainless steel case
- Plug & play

SUITABILITY

- Single and multiple refrigeration units, OEM
- ✓ **Perfect for...** Multiple refrigeration units



COLD CABINET @ 230 VAC 50Hz	
Max. flow	225L/h @ 0 head
Max. rec. head	35m
Tank capacity	11L
dB(A) @ 1m	60
Power supply	230 VAC, 0.38A, 50/60Hz
Rated	Non continuous
Class	I appliance
Max. unit output	n/a
Max. water temp	40°C / 104°F
Inlet/outlet	50mm in, 10mm out
IP Protection	IP21
Safety switch	3.0A Normally closed
Thermal protection	✓
Fully potted	n/a
Self priming	n/a



SUGGESTED XTRA ACCESSORIES		
Description		Part No.
1 Amp Fuse		FP2620
Tube To Soil Stack Adaptor		FP2038
Vinyl Tube Braided 3/8" (10mm)		AX5101
StayClean Strips		FP1248

Xtra For more installation accessories take a look at our Aspen Xtra range

COLD CABINET OPTIONS

Cold Cabinet – top inlet	FP2119
Cold Cabinet – side inlet	FP2120

* Side inlet only

IN THE BOX

Cold Cabinet pump • 2m Plug & play power cable • 1 1/2" BSP connector (for 40mm ID waste pipe)* • Install manual

Download manual at aspenspumps.com

Information correct at time of going to press.



aspenspumps.com

+44 (0)1323 848842

sales@aspenspumps.com

reliable | silent | simple



AIR CONDITIONING



REFRIGERATION



HEATING



EN

Macerator 4L & 10L

CONDENSATE REMOVAL PUMP

Designed to collect defrost water from multiple refrigeration cabinets. The internal filter blade prevents the pumps from clogging, allowing longer intervals between maintenance visits.



780L/h max. flow



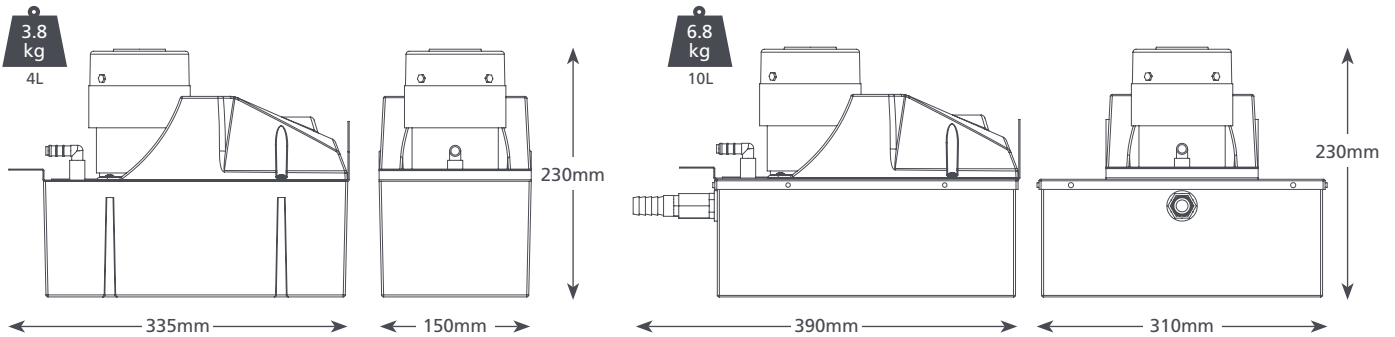
8.5m max. rec. head (flow rate 80L/h)

KEY FEATURES

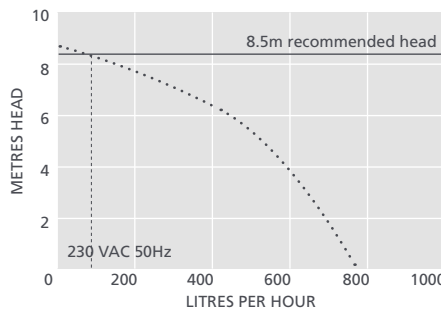
- Internal filter blade
- High flow & head
- Hi-level safety switch

SUITABILITY

- Single and multiple refrigeration units
- ✓ **Perfect for...** handling food waste that may pass through the pump



MACERATOR 4L & 10L @ 230 VAC 50Hz	
Max. flow	780L/h @ 0 head
Max. rec. head	8.5m
Tank capacity	4L & 10L
dB(A) @ 1m	64
Power supply	230 VAC, 0.38A, 50/60Hz
Rated	Non continuous
Class	I appliance
Max. unit output	n/a
Max. water temp	40°C / 104°F
Inlet/outlet	x2 40 & 55mm in, 10mm out
Additional inlet	3/4" in tank (10L only)
IP Protection	4L & 10L: IP21
Safety switch	4.0A Normally closed
Thermal protection	✓
Self priming	n/a



SUGGESTED XTRA ACCESSORIES

Description	Part No.
1 Amp Fuse	FP2620
Tube To Soil Stack Adaptor	FP2038
Vinyl Tube Braided 3/8" (10mm)	AX5101
StayClean Strips	FP1248

Xtra For more installation accessories take a look at our Aspen Xtra range

MACERATOR 4L & 10L OPTIONS

Macerator 4L	FP2305
Macerator 10L	FP2307

IN THE BOX

Macerator 4L or 10L pump (including hard wired 2m power cable) • Install manual

Download manual at aspenspumps.com

Information correct at time of going to press.



Gel-clear Tablets

Gel-clear keeps condensate drains clear.
Perfect for use with supermarket pumps.



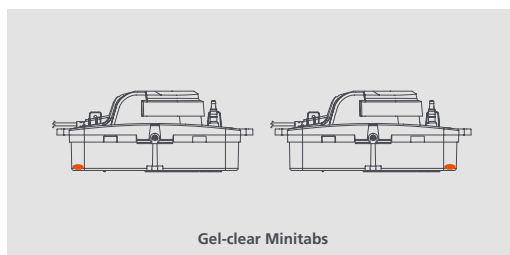
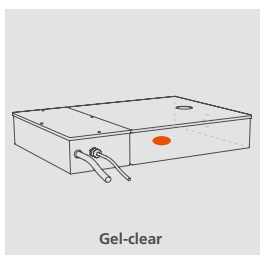
KEY FEATURES



Tablets

- Simple to use – no tools required
- Reduces operational costs
- Gel-clear 12 month tablets reduces water leak call-outs by 90-100%
- Gel-clear Minitabs last up to 3 months and are suitable with tank and mini condensate pumps

OPTIONS		SUITABILITY	OPTIONS		SUITABILITY
Tablet x1 (up to 12 months)	SC8750	Supermarket pumps	Minitabs x6 (up to 3 months ea)	SC8930	Tank pumps
Tablet x10 (up to 12 months ea)	SC8840				Condensate pumps



For further details please refer to our website stormchemicals.com

Information correct at time of going to press.



stormchemicals.com

+44 (0)1323 848842

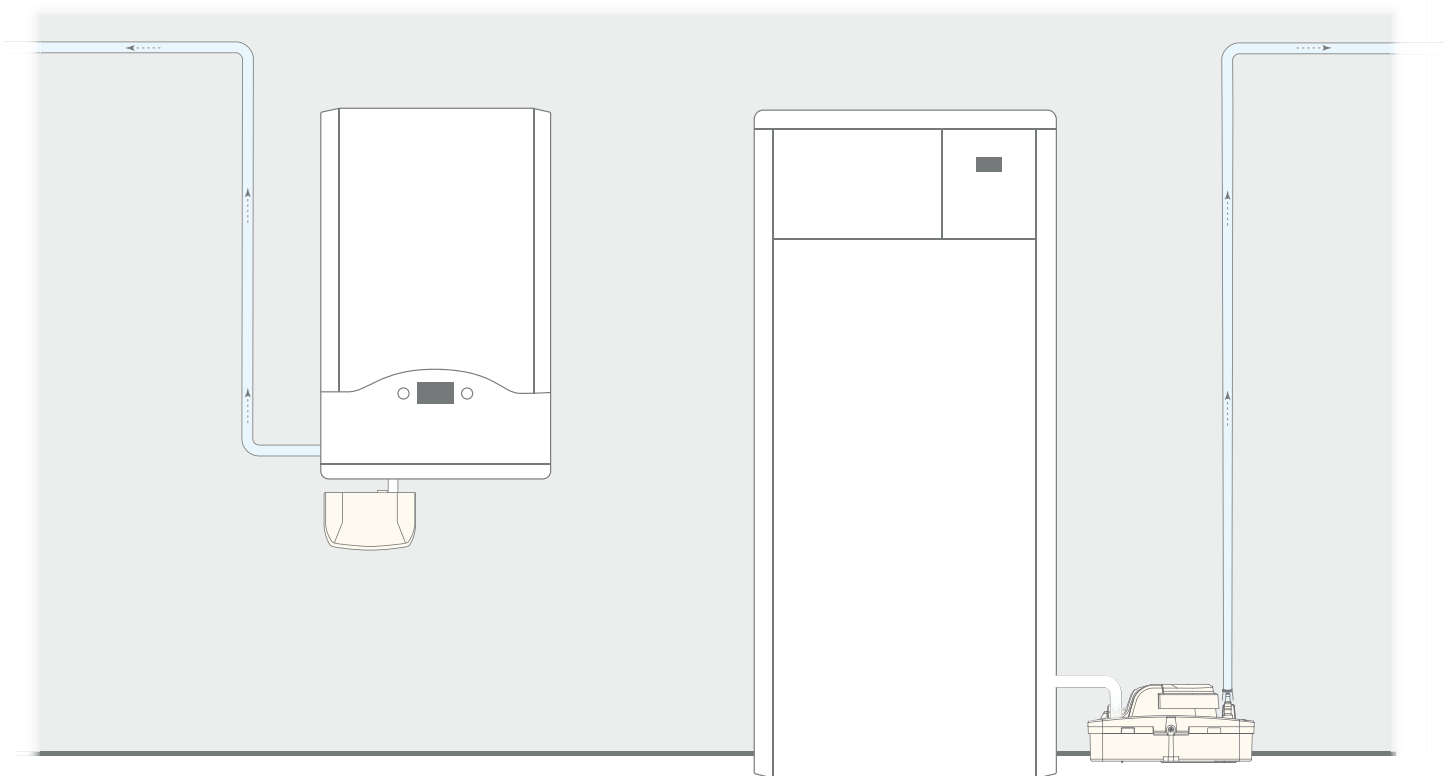
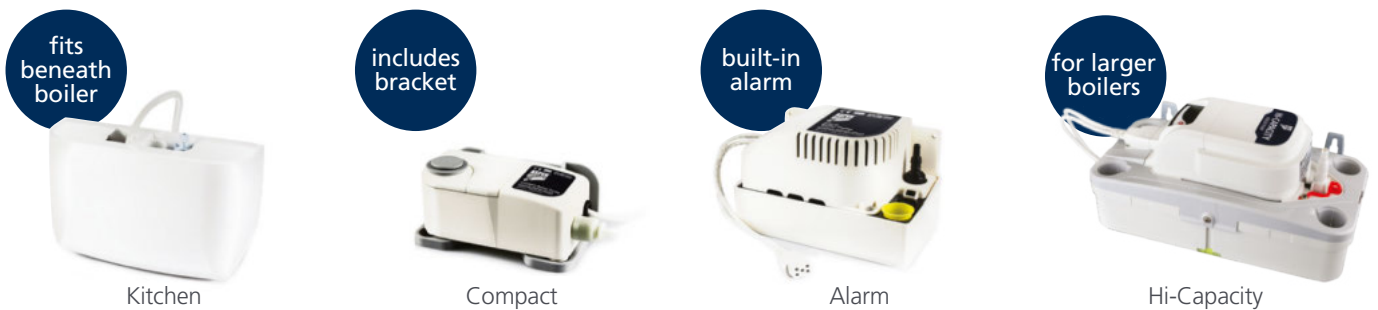
info@stormchemicals.com

- Boiler specific
- High performance
- Easy inspection
- Great aesthetics

Boiler pumps

The perfect partnership

A condensing boiler is a high efficiency boiler that recycles and takes heat from the exhaust gases leaving excess water. Our high performance boiler pumps remove this excess water offering excellent performance, easy inspection and great aesthetics.



- 1 Kitchen boiler pump wall mounted beneath boiler (as can Compact boiler pump using supplied bracket)
- 2 Hi-Capacity boiler pump floor mounted next to floor standing boiler (as can the Alarm boiler pump and Compact boiler pump)



AIR CONDITIONING



REFRIGERATION



HEATING



Kitchen

CONDENSATE REMOVAL PUMP



Designed to take the heat! Extra quick & easy to fit, the Kitchen all-in-one boiler pump is designed to be fitted beneath domestic gas boilers and furnaces.



12L/h max. flow



10m max. rec. head (flow rate 4L/h)



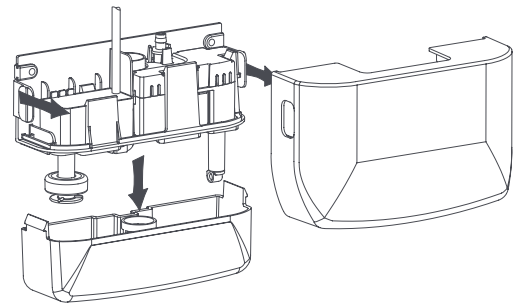
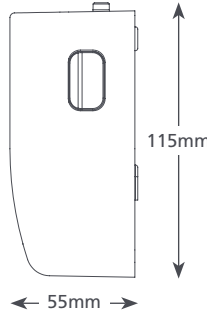
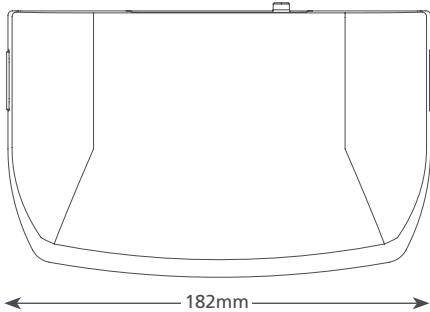
21dB(A)

KEY FEATURES

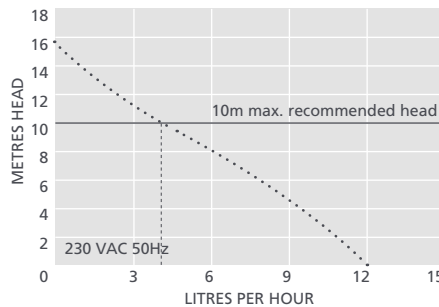
- Compact & discreet
- Mounts under boiler
- Quiet operation
- Clear removable reservoir

SUITABILITY

- Up to 45kW / 153,000Btu/h with condensate PH value >2.7
- ✓ **Perfect for...** Domestic gas fired condensing boilers & furnaces



KITCHEN BOILER @ 230 VAC 50Hz	
Max. flow	12L/h @ 0 head
Max. rec. head	10m
Tank capacity	0.24L
dB(A) @ 1m	21
Power supply	230 VAC, 0.1A, 50/60Hz
Rated	Non continuous
Class	II appliance <input type="checkbox"/>
Max. unit output	45kW / 153,000Btu/h
Max. water temp	60°C / 140°F
Inlet/outlet	20mm in, 6mm out
IP Protection	IP21
Safety switch	3.0A Normally closed
Thermal protection	✓
Fully potted	✓
Self priming	✓



KITCHEN BOILER OPTIONS	
Kitchen boiler pump (UK)	FP2948
Kitchen boiler pump (EU)	FP2943

SUGGESTED XTRA ACCESSORIES

Description	Part No.
Tube To Soil Stack Adaptor	FP2038
1 Amp Fuse	FP2620
Vinyl Tube Braided 1/4" (6mm)	AX5100
Acid Neutraliser	FP1021

Xtra For more installation accessories take a look at our Aspen Xtra range

IN THE BOX

- Kitchen boiler pump (inc. 1m power cable)
- 6m discharge tube (6mm ID)
- Inlet adaptor for 22 & 28mm pipe
- Pipe adaptor
- Fixing kit
- Install manual

Download manual at aspenspumps.com

Information correct at time of going to press.



aspenspumps.com

+44 (0)1323 848842

sales@aspenspumps.com

reliable | silent | simple



Compact

CONDENSATE REMOVAL PUMP



The compact boiler pump uses piston technology and has an impressive head and flow. Ideal for domestic gas boilers and furnaces.



35L/h max. flow



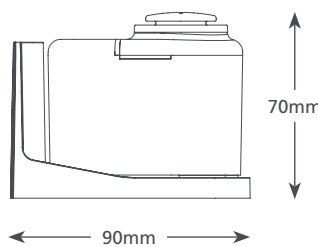
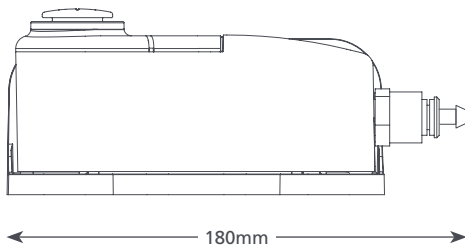
15m max. rec. head
(flow rate 10L/h)

KEY FEATURES

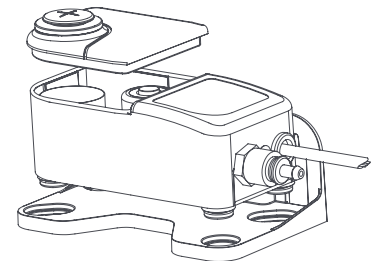
- Compact & discreet
- High head
- Bracket for easy install
- Easy servicing

SUITABILITY

- Up to 85kW / 290,000Btu/h with condensate PH value >2.7
- Domestic gas fired condensing boilers; High efficiency gas furnace

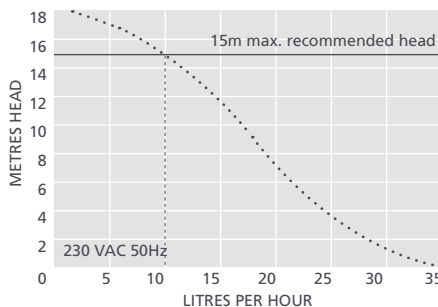


0.57 kg




COMPACT BOILER @ 230 VAC 50Hz

Max. flow	35L/h @ 0 head
Max. rec. head	15m
Tank capacity	0.24L
dB(A) @ 1m	35
Power supply	230 VAC, 0.1A, 50/60Hz
Rated	Non continuous
Class	II appliance <input type="checkbox"/>
Max. unit output	85kW / 290,000Btu/h
Max. water temp	60°C / 140°F
Inlet/outlet	27mm in, 6 & 10mm out
IP Protection	IP67
Safety switch	3.0A Normally closed
Thermal protection	✓
Fully potted	✓
Self priming	n/a



SUGGESTED XTRA ACCESSORIES

Description	Part No.
Tube To Soil Stack Adaptor	FP2038
1 Amp Fuse	FP2620
Vinyl Tube Braided 3/8" (10mm)	AX5101
Acid Neutraliser	FP1021

 For more installation accessories take a look at our Aspen Xtra range

COMPACT BOILER OPTIONS

Compact boiler pump (UK)	FP2944
Compact boiler pump (EU)	FP2947

IN THE BOX

Compact boiler pump (including hard wired 1m power cable) • Mounting Bracket • 6m discharge tube (6mm ID) • Pipe adaptor • Fixing kit • Install manual

 Download manual at aspenpumps.com

Information correct at time of going to press.



AIR CONDITIONING



REFRIGERATION



HEATING



Alarm

CONDENSATE REMOVAL PUMP

The next step up, our Alarm boiler pump uses centrifugal technology and comes with a built in audible alarm for extra piece of mind.



300L/h max. flow



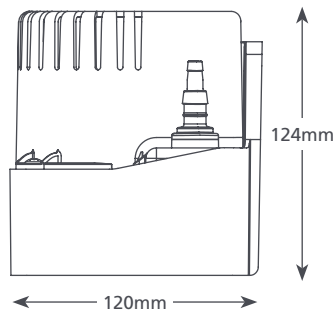
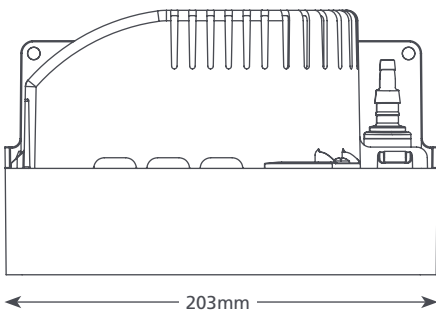
3.2m max. rec. head
(flow rate 50L/h)

KEY FEATURES

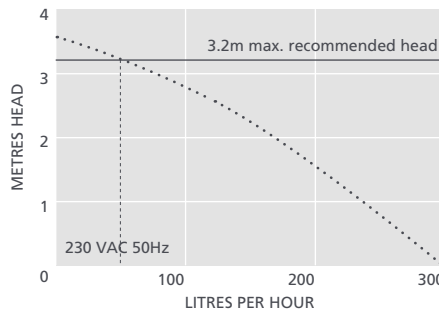
- Audible alarm
- Plug & play
- Non return valve
- Wall or floor mounted

SUITABILITY

- Up to 100kW / 341,000Btu/h with condensate PH value >2.7
- Domestic gas & oil fired condensing boilers; High efficiency gas furnace



ALARM BOILER @ 230 VAC 50Hz	
Max. flow	300L/h @ 0 head
Max. rec. head	3.2m
Tank capacity	0.5L
dB(A) @ 1m	60
Power supply	230 VAC, 0.45A, 0.95W, 50Hz
Rated Class	Non continuous I appliance
Max. unit output	100kW / 341,000Btu/h
Max. water temp	60°C / 140°F
Inlet/outlet	27mm in, 6 & 10mm out
IP Protection	IP20
Safety switch	3.0A Normally closed
Thermal protection	✓
Fully potted	n/a
Self priming	n/a



SUGGESTED XTRA ACCESSORIES

Description	Part No.
Tube To Soil Stack Adaptor	FP2038
1 Amp Fuse	FP2620
Vinyl Tube Braided 3/8" (10mm)	AX5101
Acid Neutraliser	FP1021

Xtra For more installation accessories take a look at our Aspen Xtra range

ALARM BOILER OPTIONS

Alarm boiler pump (UK)	FP2950
Alarm boiler pump (EU)	FP2949

IN THE BOX

- Alarm boiler pump
- 2m Plug & play power cable
- 6m discharge tube (6mm ID)
- Pipe adaptor
- Fixing kit
- Install manual

Download manual at aspenspumps.com

Information correct at time of going to press.



aspenspumps.com

+44 (0)1323 848842

sales@aspenspumps.com

reliable | silent | simple



Hi-Capacity

CONDENSATE REMOVAL PUMP

This high efficiency boiler pump offers unsurpassed performance and is ideal for commercial boiler applications.



550L/h max. flow



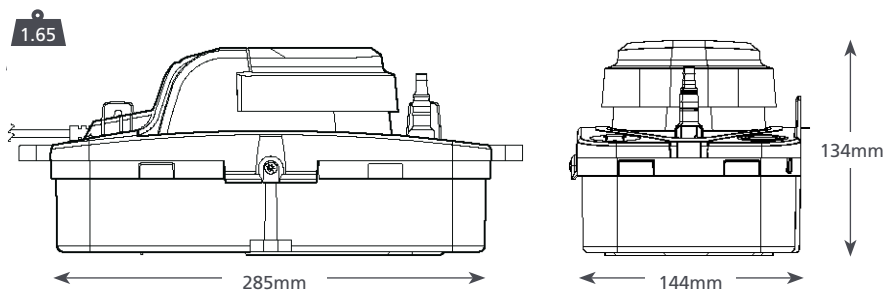
5m max. rec. head
(flow rate 10L/h)

KEY FEATURES

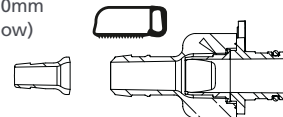
- Easy access tank
- Twist & click non return outlet barb
- Built-in spirit level
- Plug & play

SUITABILITY

- Up to 200kW / 682,000Btu/h with condensate PH value >2.2
- ✓ **Perfect for...** Larger domestic commercial gas & oil fired condensing boilers



Non-return valve can be cut from 6mm to 10mm (see graphs below)



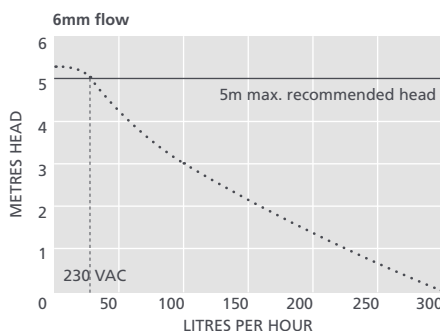
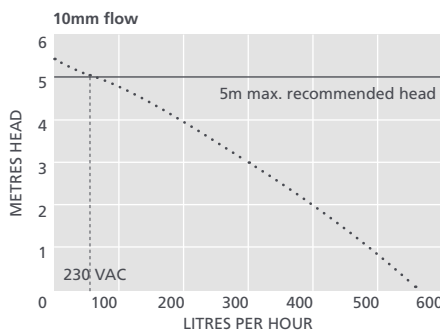
HI-CAPACITY OPTIONS

Hi-Capacity (EU)

FP3356

HI-CAPACITY @ 230 VAC 50Hz

Max. flow	550L/h @ 0 head
Max. rec. head	5m
Tank capacity	1.7L
dB(A) @ 1m	44
Power supply	230 VAC, 0.8A, 50Hz
Rated	Non continuous
Class	I appliance
Max. unit output	200kW / 682,000 Btu/h
Max. water temp	60°C / 140°F
Inlet/outlet	x4 21-27mm in, 6-10mm out
IP Protection	IP24
Safety switch	3.0A Normally closed
Thermal protection	✓
Fully potted	n/a
Self priming	n/a



SUGGESTED XTRA ACCESSORIES

Description	Part No.
Tube To Soil Stack Adaptor	FP2038
1 Amp Fuse	FP2620
Vinyl Tube Braided 1/4" (6mm)	AX5100
Vinyl Tube Braided 3/8" (10mm)	AX5101



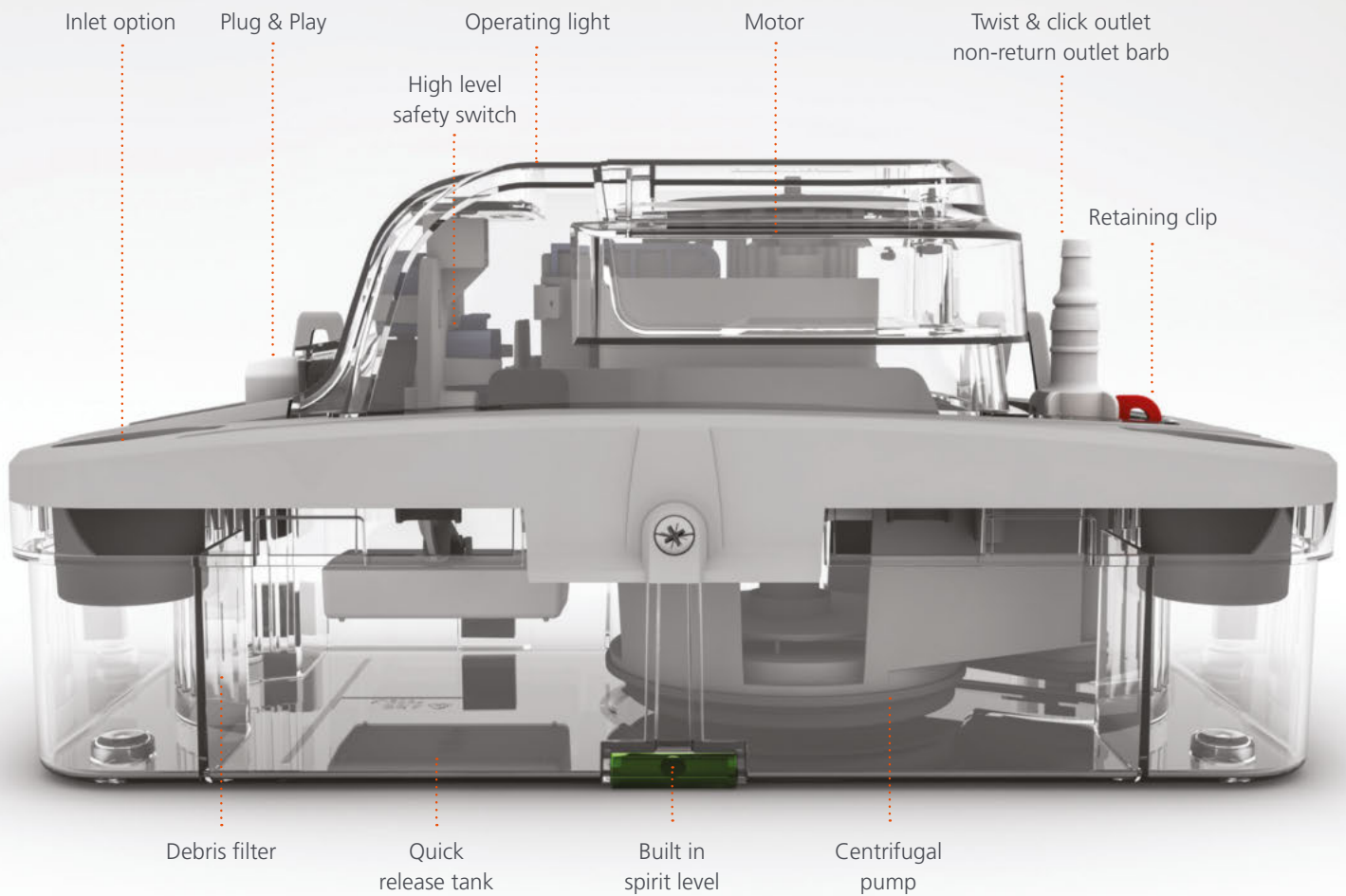
For more installation accessories take a look at our Aspen Xtra range

IN THE BOX

Hi-Capacity boiler pump • 2m Plug & play power cable • 6m discharge tube (10mm ID)
• Pipe adaptor • Fixing kit • x4 feet • Install manual

Download manual at aspenpumps.com

Information correct at time of going to press.



The professional way

So why should you choose a condensate pump? Traditionally, removing condensate water from an air conditioning unit is an inflexible and often unattractive challenge.

INSTALLATION FLEXIBILITY

We understand that flexibility is key when considering your installation. Gravity drainage can often bring limitations on placement of the unit – indoor or outdoor. Condensate removal pumps allow optimum positioning and aesthetics in any installation, without losing out on efficiency or performance. Aspen Pumps give ultimate installation flexibility whatever the application.



THE ONLY OPTION

Sometimes gravity drainage just isn't an option. Removal of condensate water in spaces such as basements, shallow ceiling voids and glass buildings never need to be a problem again. Maintenance is easy, and with a wide range of pumps to choose from, service, relocation or replacement is stress-free. As engineers, we understand that your time is precious, so we take the time to get it right for you.



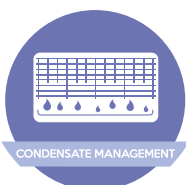
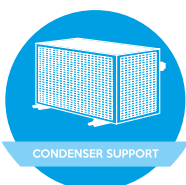
A PROFESSIONAL INSTALL

Condensate removal pumps ensure a professional, aesthetically pleasing installation every time. With easy access for maintenance, a pump ensures that air conditioning units are placed where requested with no unsightly pipework. The condensate water can be effectively managed to the relevant source such as a soil stack or grey water tank, ensuring a professional finish everytime.





*One of the worlds largest range
of HVAC/R installation accessories!*





PIPE SUPPORT



Pipe Fixings Selector	50
Channel Fixing	51-53
Rod Fixing	54-57
Rod and Surface	58-59
Surface Mount	60-63
SpeediDuct Trunking	64

CONTROLS

Isolator	65
Fan Speed Controller	66
Hi-Level Water Sensor	66

CONDENSER SUPPORT

Split Bracket	67
Composite Bracket	68
Galvanised Arm	68
Condensing Unit Block	69
Drip Tray	70
Condensing Unit Guard	71
Rapid Fit Guard	72

CONDENSATE MANAGEMENT

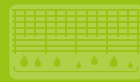
Vinyl Tubing	73
Connectors	74-75
Rigid Pipe and Fittings	76-77

SERVICING

Portable AC Unit	78
Accessories Kit	79
Veto Tool Bags	80-81

ANCILLARIES

Fast Clip	82
Condensate Traps	82
Pump Accessories	83
Acid Neutraliser	84





PIPE SUPPORT

EN

Pipe fixings selector

Channel Rod Surface

 Refrigeration	Range size	Holds copper pipe	Holds insulated pipe	Mounting method	Vertical support	Horizontal support	Fire sensitive zone
QPC	1/4" – 1 5/8"	•		Channel	•	•	
Insulclamp	1/4" – 4 1/8"	•		Channel	•	•	•
Channel Clips	1/4" – 2 1/8"	•	•	Channel	•	•	
Stud Clip M8	1/4" – 2 1/8"	•	•	8mm Stud		•	
Stud Clip M8 3 1/8"	3 1/8"		•	8mm Stud		•	
Stud Clip M10	1/4" – 2 1/8"	•	•	10mm Stud		•	
Barb Clip	7/8" – 1 3/8"		•	Surface		•	
Nail Clip	1 – 1 5/8"		•	Surface		•	
Pipe Ties	250 – 400mm			Surface	•	•	

 Air conditioning	Range size	Holds copper pipe	Holds insulated pipe	Mounting method	Vertical support	Horizontal support	Fire sensitive zone
Qpc	1/4" – 1 5/8"	•		Channel	•	•	•
Insulclamp	1/4" – 4 1/8"	•		Channel	•	•	•
Metal Hanger	3/8", 1/2", 5/8"		•	8/10mm Stud		•	•
Pinch Clip	1/2", 5/8", 3/4"		•	8/10mm Stud and Surface		•	•
Stud Clip (2 pipe)	1/2" – 1 1/8"		•	8mm Stud		•	
3 Pipe Clip	3/8" – 1 5/8"		•	8/10mm Stud and Surface		•	•
Plastic Hanger	3/8" – 1 1/8"		•	8/10mm Stud		•	
Grip Lock	1/4" – 1 1/8"		•	Surface		•	•
Barb Clip (2 pipe)	7/8" – 1 3/8"		•	Surface	•	•	•
Pipe Ties	250 – 400mm			Surface		•	

Information correct at time of going to press.



Quick Positioning Clip

A simple twist and clip channel clip ideal for air conditioning and refrigeration installations.



Channel



Rod



Surface

KEY FEATURES

- Easy installation into 40mm x 40mm and 40mm x 20mm channel
- External diameter matches diameter of pipes with 9mm insulation
- Excellent resistance to oil
- Helps dampen noise and vibrations

SPECIFICATIONS

Materials of construction	Nylon
Max. temp	70°C
Max. rec. distance per clip	1.2m

Compatible with Fix-it Foot from Big Foot Systems



Aluminium Channel (3m lengths) available:
Part No. B6023

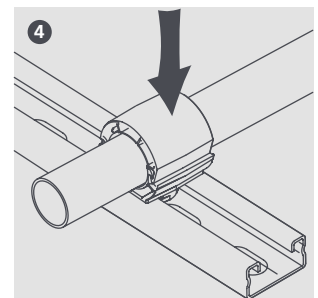
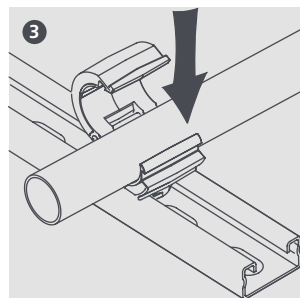
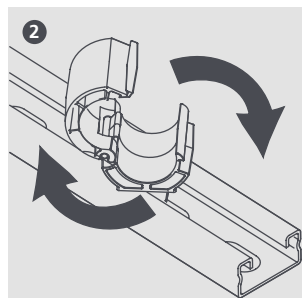
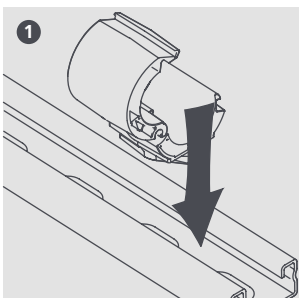


SIZING OPTIONS

Size	Max. Unsupported Span (m)	Height Above Channel (mm)	Part No. (Plastic Bag)	Pack Qty (Plastic Bag)
1/4"	1.2	21	B6445	10
3/8"	1.2	24	B6447	10
1/2"	1.2	27	B6444	10
5/8"	1.2	31	B6448	10
3/4"	1.2	34	B6446	10
7/8"	1.2	37	B6449	10
1 1/8"	1.2	43	B6442	10
1 3/8"	1.2	50	B6443	10
1 5/8"	1.2	56	B6538	10



For further details please refer to our website aspenspumps.com/xtra

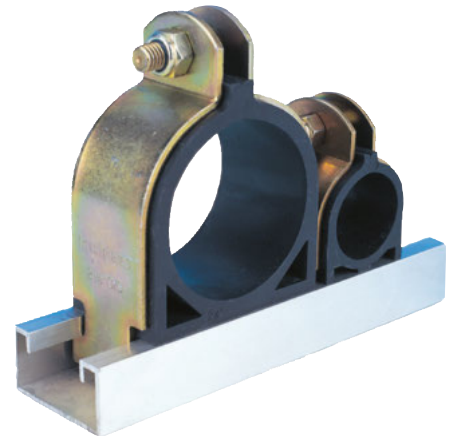


Information correct at time of going to press.



Insulclamp

Channel clip ideal for bigger commercial air conditioning and refrigeration installations.



Channel



Rod



Surface

KEY FEATURES

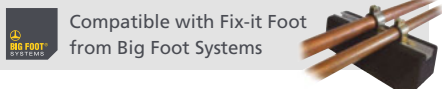
- Easy installation into 40mm x 40mm and 40mm x 20mm channel
- Insulates against heat loss and reduces vibration
- Quick to install with lock nuts
- Fits into shallow void
- Supports individual pipes into a thermo-rubber cushion between two metal plates
- Thermo-rubber cushion insert withstands maximum temperature of 130°C (zinc bracket 1000°C)

SPECIFICATIONS

Materials of construction	Zinc passivated steel with rubber cushion
Max. temp	130°C
Max. rec. distance per clip	1.2m

OTHER PROPERTIES

Thermal conductivity	K = 0.27 W/m°C
----------------------	----------------



Compatible with Fix-it Foot from Big Foot Systems

Aluminium Channel lengths available:
Part No. B6023 (3m), B6000 (1m)

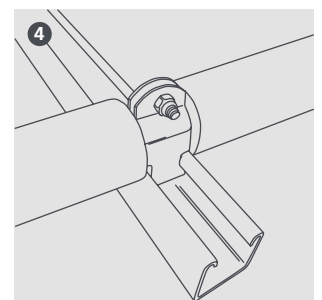
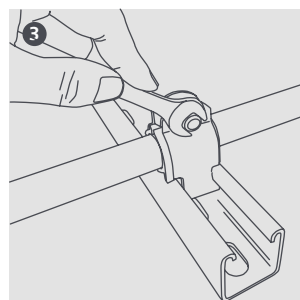
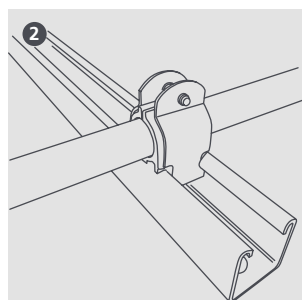
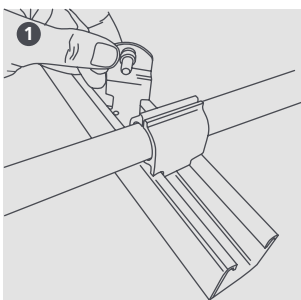


SIZING OPTIONS

Size	Max. Unsupported Span (m)	Height Above Channel (mm)	Part No. (Plastic Bag)	Pack Qty (Plastic Bag)
1/4"	1.2	32	B6268	10
3/8"	1.2	35	B6274	10
1/2"	1.2	38	B6267	10
5/8"	1.2	41	B6276	10
3/4"	1.2	44	B6273	10
7/8"	1.2	47	B6277	10
1 1/8"	1.2	54	B6264	10
1 3/8"	1.2	60	B6265	10
1 5/8"	1.2	76	B6266	10
2 1/8"	1.2	92	B6269	5
2 5/8"	1.2	98	B6270	5
3 1/8"	1.2	117	B6271	5
3 5/8"	1.2	130	B6272	5
4 1/8"	1.2	143	B6275	5



For further details please refer to our website aspenspumps.com/xtra



Information correct at time of going to press.



Channel Clip

Unique ratchet design ensures quick installation with good hold both vertically and horizontally.



Channel



Rod



Surface

KEY FEATURES

- Easy installation into 40mm x 40mm and 40mm x 20mm channel
- Unique lockable ratchet design
- Fits metric and imperial pipe sizing
- Quick to fit over insulated pipes
- Safety lock ensure that the correct pressure is applied to hold both pipe and insulation

SPECIFICATIONS

Materials of construction	Nylon
Max. temp	+70°C
Max. rec. distance per clip	1.2m

Aluminium Channel lengths available:
Part No. B6023 (3m), B6000 (1m)

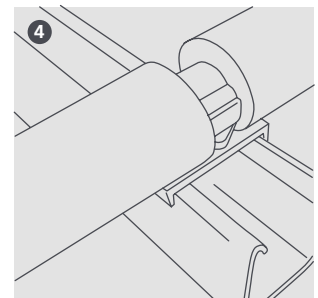
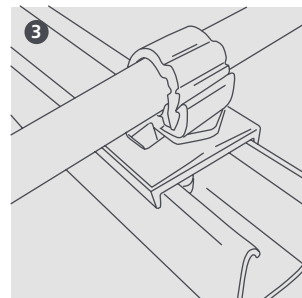
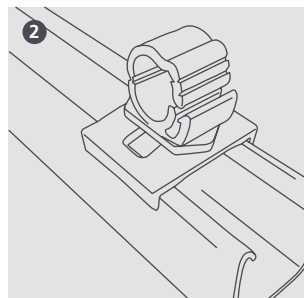
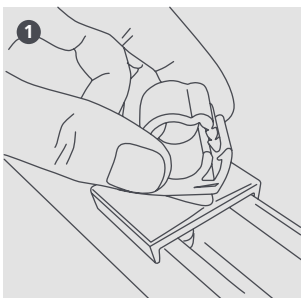


SIZING OPTIONS

Size	Lagging				Part No.	Pack Qty
	6mm	9mm	13mm	19mm		
6mm (1/4")					B6842	10
10mm (3/8")					B6844	10
13mm (1/2")					B6843	10
16mm (5/8")					B6845	10
19mm (3/4")	1/4"				B6846	10
22mm (7/8")	3/8"				B6847	10
25mm (1")	1/2"	1/4"			B6848	10
28mm (1 1/8")	5/8"	3/8"			B6849	10
32mm (1 1/4")	3/4" 7/8"	1/2" 5/8"	1/4"		B6850	10
35mm (1 3/8")		3/4"	3/8" 1/2"		B6851	10
38mm (1 1/2")	1 1/8"	7/8"	5/8"		B6852	10
41mm (1 5/8")	1 3/8"	1 1/8"	3/4" 7/8"	1/4" 3/8"	B6853	10
50mm (2")				1/2"	B6854	10
55mm (2 1/8")	1 5/8"	1 3/8" 1 5/8"	1 1/8" 1 3/8"	5/8" 3/4" 7/8"	B6855	10



For further details please refer to our website aspenpumps.com/xtra



Information correct at time of going to press.



Metal Hanger

A rod clip ideal for supporting air conditioning line set pairs.



Channel



Rod



Surface

KEY FEATURES

- Fits on both M8 and M10 studding
- Zinc passivated to resist corrosion
- Rapid 2 pipe installation
- Ideal for when you need to meet fire regulations
- Avoids the need for cable trays

SPECIFICATIONS

Materials of construction	Zinc passivated mild steel
Max. temp	1000°C
Max. rec. distance per clip	1.2m

SIZING OPTIONS

Description	Liquid*	Gas*	Part No.	Pack Qty
2	3/8"	5/8"	B6492	10
3	1/2"	7/8"	B6493	10
4	5/8"	1 1/8"	B6494	10

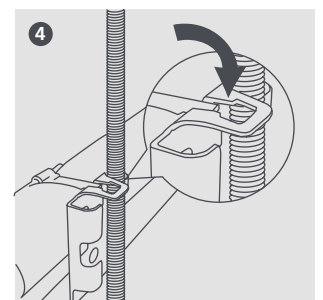
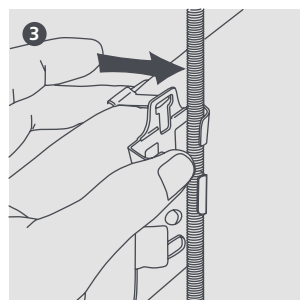
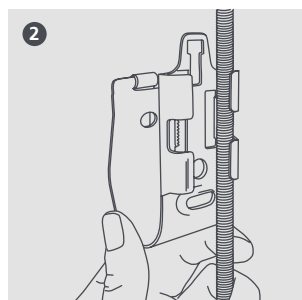
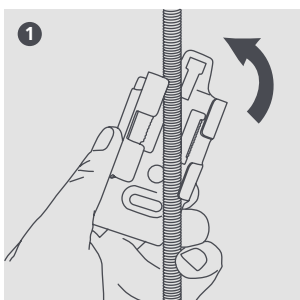
* Approximate pipe sizes (allowing for insulation)



Material: BS EN 10230:2006. Coating: BS EN 12329:2000



For further details please refer to our website aspenspumps.com/xtra



Information correct at time of going to press.



Stud Clip

Unique ratchet design ensures quick installation and adjustment.



Channel



Rod



Surface

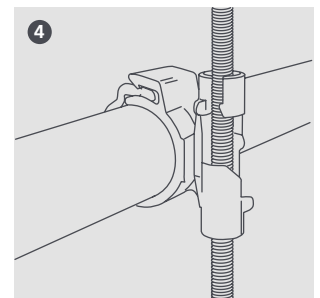
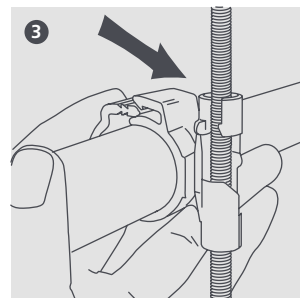
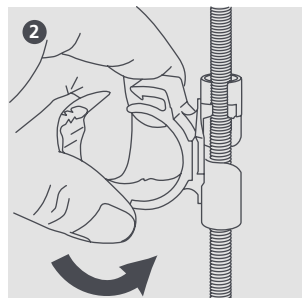
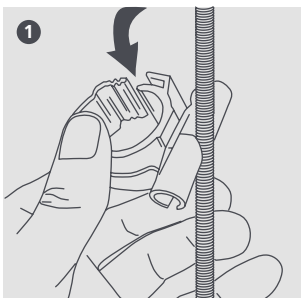
KEY FEATURES

- Available for M8 and M10 studding
- Fast fixing direct to studding
- Simple to install, adjust and relocate
- Fits metric and imperial pipe sizes

SPECIFICATIONS		SIZING OPTIONS				M8		M10		
Materials of construction	Nylon	Size	6mm	Lagging		Part No.	Pack Qty	Part No.	Pack Qty	
Max. temp	70°C			9mm	13mm					
Max. rec. distance per clip	1.2m				19mm					
		1/4"				B6800	10	B6814	10	
		3/8"				B6802	10	B6816	10	
		1/2"				B6801	10	B6815	10	
		5/8"				B6803	10	B6817	10	
		3/4"	1/4"			B6804	10	B6818	10	
		7/8"	3/8"			B6805	10	B6819	10	
		1"	1/2"	1/4"		B6806	10	B6820	10	
		1 1/8"	5/8"	3/8"		B6807	10	B6821	10	
		1 1/4"	3/4" 7/8"	1/2" 5/8"		B6808	10	B6822	10	
		1 3/8"		3/4"	3/8" 1/2"	B6809	10	B6823	10	
		1 1/2"	1 1/8"	7/8"	5/8"	B6810	10	B6824	10	
		1 5/8"	1 3/8"	1 1/8"	3/4" 7/8"	1/4" 3/8"	B6811	10	B6825	10
		2"				1/2"	B6812	10	B6826	10
		2 1/8"	1 5/8"	1 3/8" 1 5/8"	1 1/8" 1 3/8"	5/8" 3/4" 7/8"	B6813	10	B6827	10



For further details please refer to our website aspenspumps.com/xtra



Information correct at time of going to press.

EN

Stud Clip M8 3 1/8" and 2 Pipe

A new range of stud clips that are ideal for refrigeration and air conditioning systems.



Channel

Rod

Surface

KEY FEATURES (STUD CLIP M8 3 1/8")

- The Stud Clip M8 3 1/8" is ideal for refrigeration pipework with a versatile ratchet from 54mm to 80mm pipe sizes
- Fast fixing direct to studding
- Fits metric and imperial pipe sizes

KEY FEATURES (2 PIPE)

- Offers horizontal support for pipe sets on air conditioning systems
- Available for M8 and M10 studding
- Simple to install, adjust and relocate
- Secure extendable ratchet closure
- Clip encloses both line set and cables

SPECIFICATIONS

Materials of construction	Nylon
Max. temp	70°C
Max. rec. distance per clip	1.2m

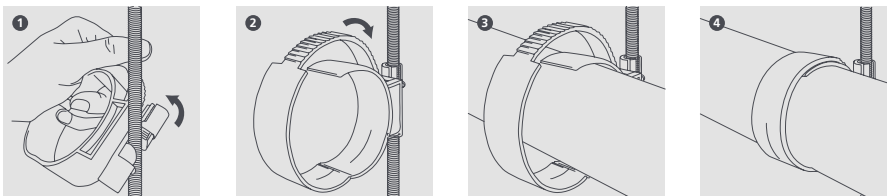
SIZING OPTIONS

Size	Part No.	Pack Qty
Stud Clip 80mm (3 1/8")	B7200	5
M8 2 pipe 1/2" - 7/8" to 5/8" - 1 1/8"	B7205	5
M10 2 pipe 1/2" - 7/8" to 5/8" - 1 1/8"	B7210	5

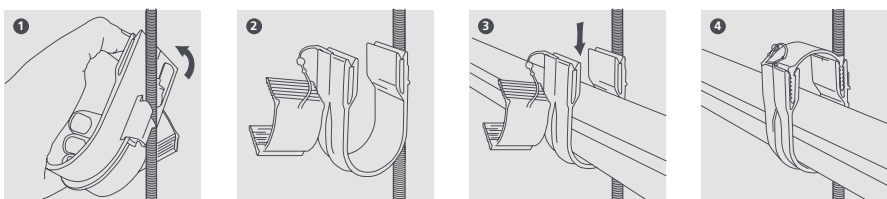
Approximate pipe sizes (allowing for 13mm insulation)

 For further details please refer to our website aspenspumps.com/xtra

STUD CLIP M8 3 1/8" INSTALL



STUD CLIP M8/M10 2 PIPE INSTALL



Information correct at time of going to press.



Plastic Hanger

This dual stud size clamping system will fit securely to both M8 and M10 studding.



Channel



Rod



Surface

KEY FEATURES

- Easy installation
- Fits on both M8 and M10 studding
- Avoids the need for cable tray
- Adjustable clipping mechanism

SPECIFICATIONS

Materials of construction	Nylon
Max. temp	70°C
Max. rec. distance per clip	1.2m

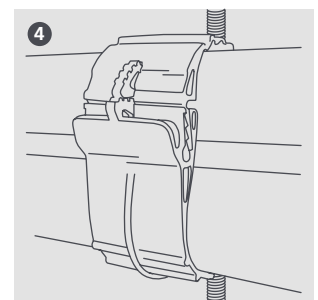
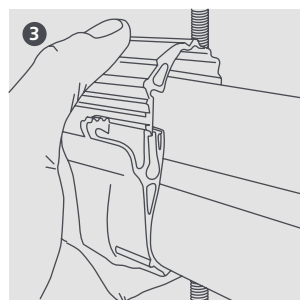
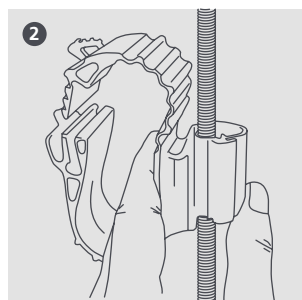
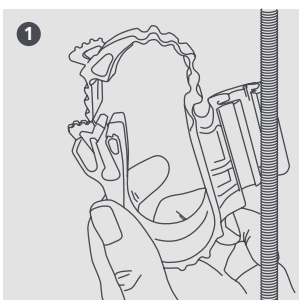
SIZING OPTIONS

Description	Liquid*	Gas*	Rod Fitting Size	Part No.	Pack Qty
P2	3/8"	5/8"	8-10mm drop	B6543	5
P3	1/2"	7/8"	8-10mm drop	B6544	5
P4	5/8"	1 1/8"	8-10mm drop	B6545	5
P2	3/8"	5/8"	6-8mm drop	B6715	5
P3	1/2"	7/8"	6-8mm drop	B6716	5
P4	5/8"	1 1/8"	6-8mm drop	B6717	5

* Approximate pipe sizes (allowing for insulation)



For further details please refer to our website aspenpumps.com/xtra



Information correct at time of going to press.



Pinch Clip

The Xtra Pinch Clip rod clip is ideal for air conditioning line set pairs.



Channel



Rod



Surface

KEY FEATURES

- Pinch Clip locates quickly to M8 and M10 studding
- Robust metal construction
- Snap shut lid secures pipe set
- Quick and easy pipe installation
- Wide metal construction for greater pipe support
- Can also be used for surface mount
- Ideal for when you need to meet fire regulations

SPECIFICATIONS

Materials of construction	Powder coated mild steel
Max. temp	1000°C
Max. rec. distance per clip	1.2m

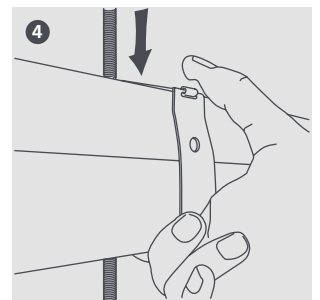
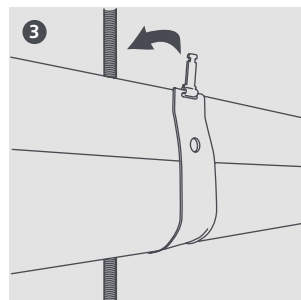
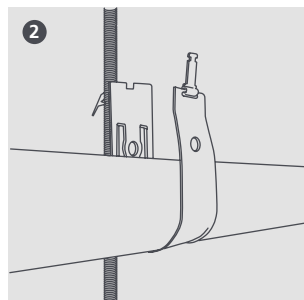
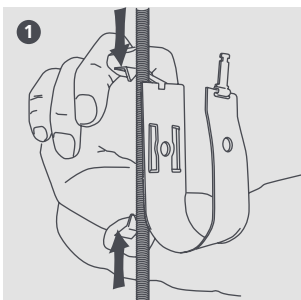
SIZING OPTIONS

Description	Liquid*	Gas*	Part No.	Pack Qty
2	3/8"	5/8"	B6561	10
3	1/2"	7/8"	B6562	10
4	5/8"	1 1/8"	B6563	10

* Approximate pipe sizes (allowing for insulation)



For further details please refer to our website aspenspumps.com/xtra



Information correct at time of going to press.



3 Pipe Clip

The uniquely designed Xtra 3 Pipe Clip provides support for VRV/VRF systems pipework.



Channel



Rod



Surface

KEY FEATURES

- Available for a wide range of pipe group sizes
- Locates to M8 and M10 studding
- Wide metal arms for greater pipe support
- No need for cable tray
- Hinge security cover plate fastens with one screw
- Can also be used for surface mount pipe support

SPECIFICATIONS

Materials of construction	Powder coated mild steel
Max. temp	1000°C
Max. rec. distance per clip	1.2m

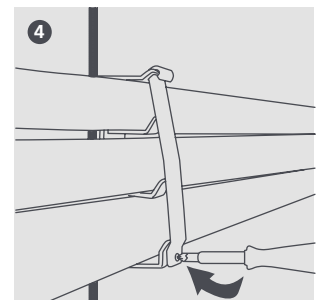
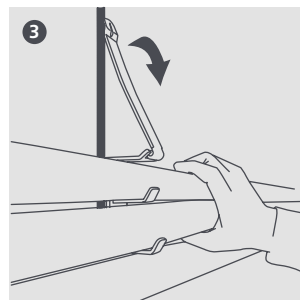
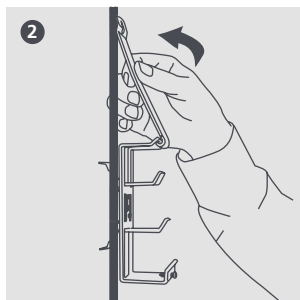
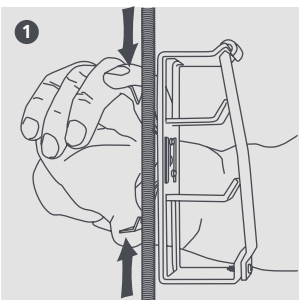
SIZING OPTIONS

Description	Pipe groups from	Pipe groups to	Part No.	Pack Qty
1	3/8" 5/8" 3/4"	1/2" 3/4" 1"	B6361	5
2	1/2" 1 1/8" 3/4"	5/8" 1" 1 1/8"	B6362	5
3	5/8" 1 1/8" 1 1/8"	3/4" 1 3/8" 1 1/8"	B6363	5
4	7/8" 1 3/8" 1 1/8"	3/4" 1 5/8" 1 3/8"	B6364	5

Approximate pipe sizes (allowing for 13mm insulation)



For further details please refer to our website aspenspumps.com/xtra



Information correct at time of going to press.

EN

Barb Clips

Ideal for horizontal support on refrigeration installations.



Channel



Rod



Surface

KEY FEATURES

- Fast fixing directly into a 10mm hole without the need for screws or plugs
- Unique lockable ratchet design
- Fits metric and imperial pipe

SPECIFICATIONS

Materials of construction	Nylon
Max. temp	70°C
Max. rec. distance per clip	1.2m

SIZING OPTIONS

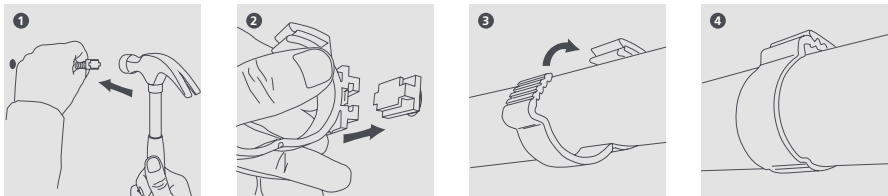
Size	Part No.	Pack Qty
22mm (7/8")	B7006	10
28mm (1 1/8")	B7008	10
32mm (1 1/4")	B7009	10
35mm (1 3/8")	B7010	10
2 pipe (1/2" - 7/8" to 5/8" - 1 1/8")	B7300	5

Approximate pipe sizes (allowing for 13mm insulation)

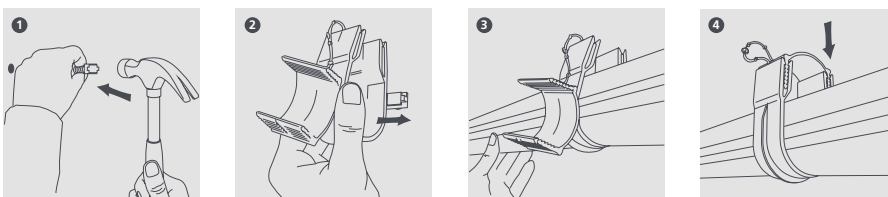


For further details please refer to our website aspenspumps.com/xtra

BARB CLIP 1 PIPE INSTALL



BARB CLIP 2 PIPE INSTALL



Information correct at time of going to press.



Nail Clip

Using unique features, this horizontal support clip is ideal for single pipework installations.



Channel



Rod



Surface

KEY FEATURES

- Ideal for refrigeration installations
- Fast fixing direct to any surface
- Unique lockable ratchet design
- Use a nail gun for rapid install
- Ideal for both single and multiple runs
- Fits metric and imperial pipe sizing

SPECIFICATIONS

Materials of construction	Nylon
Max. temp	70°C
Max. rec. distance per clip	1.2m

SIZING OPTIONS

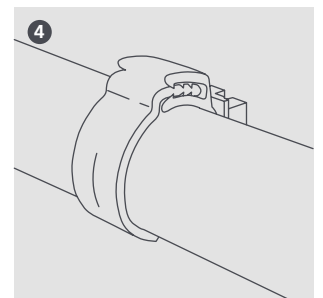
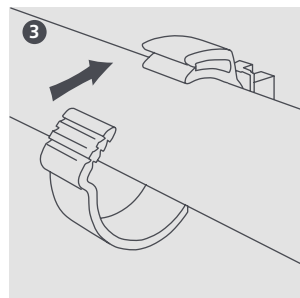
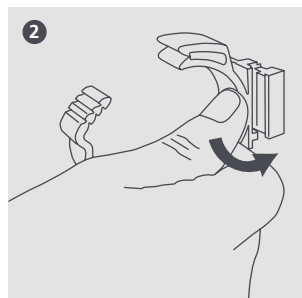
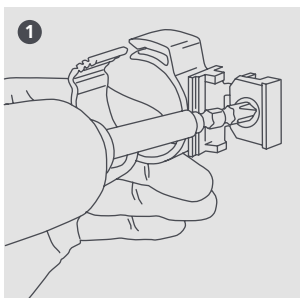
Size	Part No.	Pack Qty
25mm (1")	B7107	10
35mm (1 ³ / ₈ "	B7110	10
38mm (1 ¹ / ₂ "	B7111	10
41mm (1 ⁵ / ₈ "	B7112	10

For the complete list of sizes available visit aspenpumps.com/xtra

Approximate pipe sizes (allowing for 13mm insulation)



For further details please refer to our website aspenpumps.com/xtra



Information correct at time of going to press.



Grip Lock



Best selling versatile clip mounts to any surface. Ideal for air conditioning line sets.



Channel



Rod



Surface

KEY FEATURES

- Fits directly to a wall or solid ceiling
- Hinged for rapid pipe installation
- Space for electrical cables and condensate hose
- Zinc and colour passivated to resist corrosion
- Wide metal components for good pipe support

SPECIFICATIONS

Materials of construction	Zinc passivated mild steel
Max. temp	1000°C
Max. rec. distance per clip	1.2m

SIZING OPTIONS

Description	Liquid*	Gas*	Width (mm)	Height (mm)	Part No.	Pack Qty
Size 1	1/4"	1/2"	54	30	B6186	10
Size 2	3/8"	5/8"	60	32	B6187	10
Size 3	1/2"	7/8"	67	37	B6188	10
Size 4	5/8"	1 1/8"	80	46	B6189	10

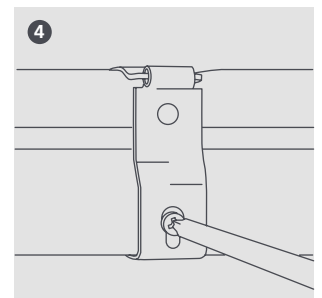
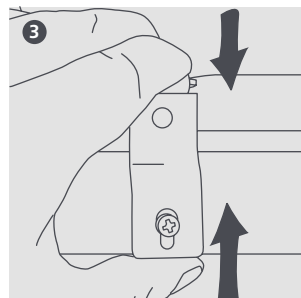
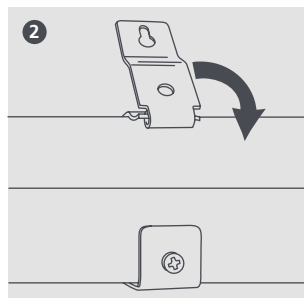
* Approximate pipe sizes (allowing for 10mm insulation)



Material: BS EN 10230:2006. Coating: BS EN 12329:2000



For further details please refer to our website aspenspumps.com/xtra



Information correct at time of going to press.



Pipe Tie

Easy to fix and great for multiple pipework routes.



Channel



Rod



Surface

KEY FEATURES

- Quick fixing, lightweight and reusable
- Perfect for multiple pipework routes
- Wide tie width to protect pipe insulation
- Withstands maximum temperature of 70°C
- Available in 4 lengths
- Choice of white or black

SPECIFICATIONS

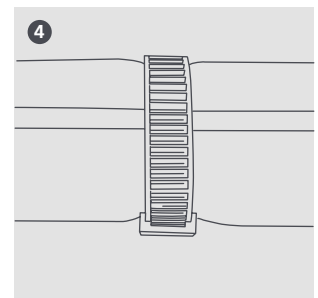
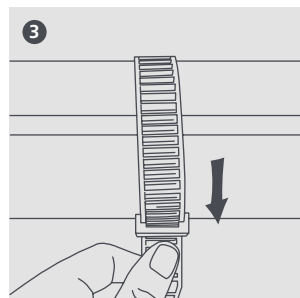
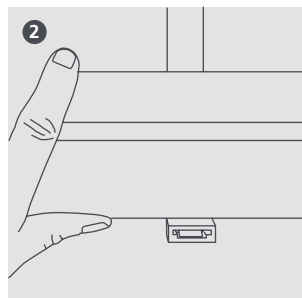
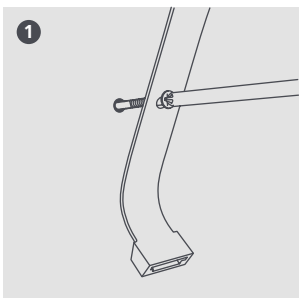
Materials of construction	LDPE
Max. temp	70°C
Max. rec. distance per clip	1.2m

SIZING OPTIONS

Description	Dimensions	Part No.	Pack Qty
T250 White	250 x 20mm	B6411	10
T250 Black	250 x 20mm	B6551	10
T300 White	300 x 20mm	B6412	10
T300 Black	300 x 20mm	B6552	10
T350 White	350 x 20mm	B6413	10
T350 Black	350 x 20mm	B6553	10
T400 White	400 x 20mm	B6414	10
T400 Black	400 x 20mm	B6554	10



For further details please refer to our website aspenpumps.com/xtra



Information correct at time of going to press.

EN

SpeediDuct™ Trunking

 D-70
 IVORY
 B6027
 D-70
 WHITE
 B6793
 D-105
 IVORY
 B6026
 D-105
 WHITE
 B6794


STRAIGHT DUCT

Code	Size (mm) A	Size (mm) B	Overall length (mm)	Qty boxed
D-70	70	65	2000	6
D-105	105	75	2000	6

 WC-70
 IVORY
 B6050
 WC-70
 WHITE
 B6789
 WC-105
 IVORY
 B6049
 WC-105
 WHITE
 B6790

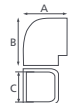

WALLS COVER FOR INLET OR OUTLET

Code	A	Size (mm) B	C	Qty boxed
WC-70	110	180	70.4	20
WC-105	145	190	105.4	20

 DE-70
 IVORY
 B6031
 DE-105
 IVORY
 B6030


DUCT END

Code	A	Size (mm) B	C	Qty boxed
DE-70	120	45	70.4	20
DE-105	120	50	105.4	20

 EB-70
 IVORY
 B6035
 EB-70
 WHITE
 B6777
 EB-105
 IVORY
 B6034
 EB-105
 WHITE
 B6778


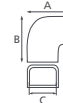
90° ELBOW BEND

Code	A	Size (mm) B	C	Qty boxed
EB-70	95	95	70.4	20
EB-105	110	110	105.4	20

 EIN-70
 IVORY
 B6037
 EIN-70
 WHITE
 B6779
 EIN-105
 IVORY
 B6036
 EIN-105
 WHITE
 B6780

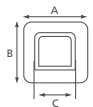

ELBOW – EXTERNAL 90°

Code	A	Size (mm) B	C	Qty boxed
EIN-70	95	95	70.4	20
EIN-105	110	110	105.4	20

 FB-70
 IVORY
 B6039
 FB-70
 WHITE
 B6781
 FB-105
 IVORY
 B6038
 FB-105
 WHITE
 B6782


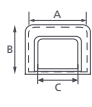
90° FLAT BEND

Code	A	Size (mm) B	C	Qty boxed
FB-70	115	115	70.4	20
FB-105	150	150	105.4	20

 WR-70
 IVORY
 B6053
 WR-70
 WHITE
 B6791
 WR-105
 IVORY
 B6052
 WR-105
 WHITE
 B6792


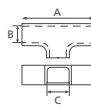
WALL ROSETTE

Code	A	Size (mm) B	C	Qty boxed
WR-70	115.4	110.4	70.4	20
WR-105	150.4	120.4	105.4	20

 RJ-70-105
 IVORY
 B6046
 RJ-70-105
 WHITE
 B6787


REDUCER JOINT

Code	A	Size (mm) B	C	Qty boxed
RJ-70-105	105.4	80.4	70.4	20

 TJ-105
 IVORY
 B6048
 TJ-105
 WHITE
 B6788


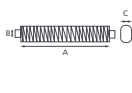
T-JOINT

Code	A	Size (mm) B	C	Qty boxed
TJ-105	200	105.4	105.4	20

 FR-70
 IVORY
 B6045
 FR-70
 WHITE
 B6785
 FR-105
 IVORY
 B6044
 FR-105
 WHITE
 B6786


FLAT ROSETTE

Code	A	Size (mm) B	C	Qty boxed
FR-70	115.4	110.4	70.4	20
FR-105	150.4	120.4	105.4	20

 FJ-70
 IVORY
 B6043
 FJ-105
 IVORY
 B6042


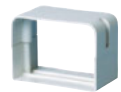
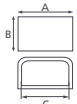
FLEXIBLE JOINT

Code	A	Size (mm) B	C	Qty boxed
FJ-70	500	65	65	20
FJ-105	500	100	100	20

 DC-70
 IVORY
 B6029
 DC-70
 WHITE
 B6773
 DC-105
 IVORY
 B6028
 DC-105
 WHITE
 B6774

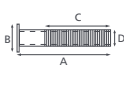

DUCT CAP

Code	A	Size (mm) B	C	Qty boxed
DC-70	70	65	2	20
DC-105	105	75	2	20

 CP-70
 IVORY
 B6025
 CP-70
 WHITE
 B6771
 CP-105
 IVORY
 B6022
 CP-105
 WHITE
 B6772


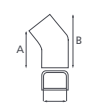
CONNECTION PIECE

Code	A	Size (mm) B	C	Qty boxed
CP-70	75.4	70.4	70.4	20
CP-105	110.4	80.4	105.4	20

 ING-341
 IVORY
 B6051


WALL SLEEVE

Code	A	B	Size (mm) C	D	Qty boxed
ING-341	350	100	250	63	20

 FB-70-45
 IVORY
 B6041
 FB-105-45
 IVORY
 B6040


45° FLAT BEND

Code	Size (mm) A	Size (mm) B	C	Qty boxed
FB-70-45	92.58	145.5	70.4	20
FB-105-45	92.58	170.3	105.4	20

FAST CLIPS

Code	
B6019	B6100



CCY. CONNECTORS

Code	
B6021	



ADP-96 DRAIN PIPE 50m

Code	
B6020	



CET. CLIPS Also available, Code: CET CLIP B6047.

 For further details please refer to our website aspenspumps.com/xtra

Information correct at time of going to press.



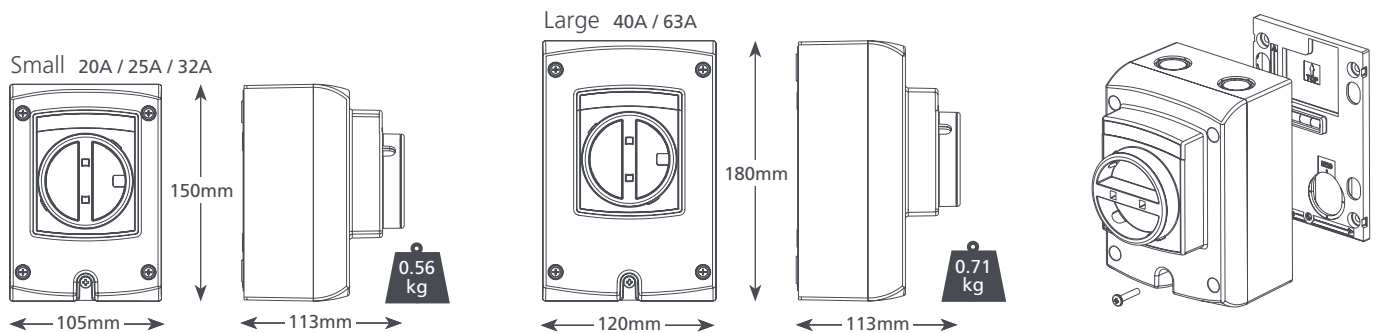
Isolator

Designed with the installer in mind. Large range of models and separate back plate for installation ease.



KEY FEATURES

- Separate back plate with spirit level for ease of installation
- 9 models available
- Surface mountable (with and without back plate)
- Removable switch for ease of wiring
- IP66 rated for interior and exterior use
- Lockable 'OFF' position (up to 2 padlocks) and 'ON' position (1 padlock), to prevent unauthorised access
- Fully compliant to IEC 60947-3
- 5 cable entry knock-outs
- Supplied with 2 cable glands



SPECIFICATIONS

Rated	230V / 415V AC
IP Protection	IP66

OPTIONS

Description	Part No.
3 pole 20A (Small)	AX6101/2
3 pole 32A (Small)	AX6102/2
3 pole 40A (Large)	AX6103/2
3 pole 63A (Large)	AX6104/2
4 pole 20A (Small)	AX6001/2
4 pole 25A (Small)	AX6005/2
4 pole 32A (Small)	AX6002/2
4 pole 40A (Large)	AX6003/2
4 pole 63A (Large)	AX6004/2

IN THE BOX

- Isolator
- Back plate with spirit level
- M4 x 20mm screw
- Install manual
- 2 x M20 glands & nuts (Small Isolator)
- 2 x M25 glands & nuts (Large Isolator)

For further details please refer to our website aspenspumps.com/xtra

Information correct at time of going to press.

EN

Fan Speed Controller

KEY FEATURES

- Tune your system; ideal for use with single fan condenser units
- Controls head pressure of systems by increasing and reducing the fan speed balancing temperature of the condenser coil
- Available for cooling only
- Optional heat pump model for connection to the reversing valve
- Condenser temperature coil sensor



Hi-level Water Sensor

KEY FEATURES

- For utmost security!
- Can operate via float sensor
- Can be used in conjunction with most pumps that do not include high level safety
- Can operate via temperature sensor
- 2 levels of sensing – high and low, both with N.O, N.C & C



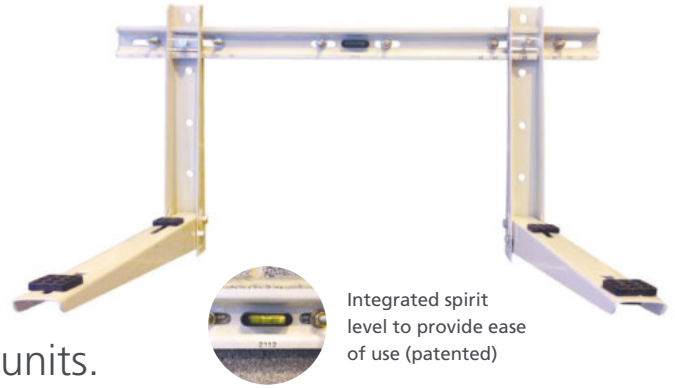
SIZING OPTIONS

Description	Height (mm)	Width (mm)	Depth (mm)	Part No.
FSC Cooling	44	150	75	FP2094
FSC Heating	44	150	75	FP2095
Hi-Level Water Sensor	70	125	90	FP2098/1

EN

Split Bracket

In three size options our Split Bracket supports even the heaviest of condenser units.



Integrated spirit level to provide ease of use (patented)

KEY FEATURES

- 3 sizes to cover all applications. 60kg, 90kg & 140kg
- Galvanised steel & powder coated conforms to ISO 09227 corrosion test
- Heavy gauge for added strength
- Integrated spirit level for easy install
- High quality fixings supplied for secure installation
- Interlocking design part assembled for fast install
- Anti vibration pads as standard
- Bracket can be mounted using horizontal wall bar, or directly to the wall as bracket arm pairs
- Easy levelling on uneven walls, with adjustable bolt
- Suitable for use with all Aspen Xtra Drip Trays

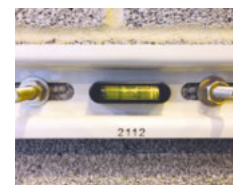
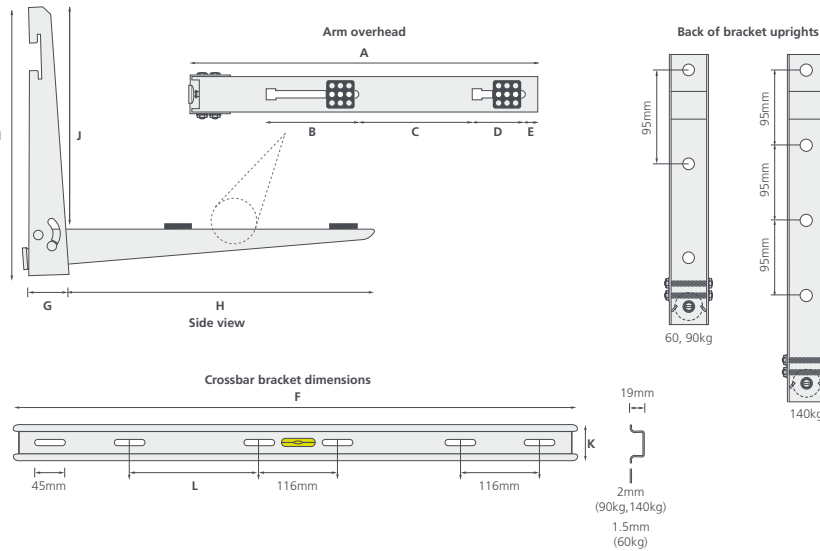
SPECIFICATIONS

Materials of construction

Galvanised steel (powder coated)
Conforms to ISO09227

SIZING OPTIONS

Description	Max. Load	Height (mm)	Crossbar Width (mm)	Depth (mm)	Gauge	Part No.
Split Bracket 60kg	60kg	350	800	450	1.8mm	B6383
Split Bracket 90kg	90kg	350	800	550	1.8mm	B6384
Split Bracket 140kg	140kg	450	850	550	2.0mm	B6385



Built in wall bar spirit level



Hinged bracket arms for fast installation



Easy assembly continues our tradition of quick installation



Advanced Crossbar allows for even faster installation



Adjustment bolt provides up to 5 degrees of correction



Adjustable anti-vibration cushions with captive nut

Max Load	mm (inches)											
	A	B	C	D	E	F	G	H	I	J	K	L
60kg (132lbs)	450 (17 3/4)	105 (4 1/4)	165 (6 1/2)	74 (2 7/8)	15 (5/8)	800 (31 1/2)	55 (2 1/8)	405 (15 7/8)	350 (13 3/4)	285 (11 1/4)	55 (2 1/8)	180 (7 1/8)
90kg (198lbs)	550 (21 3/4)	105 (4 1/4)	165 (6 1/2)	74 (2 7/8)	15 (5/8)	800 (31 1/2)	55 (2 1/8)	505 (19 7/8)	350 (13 3/4)	355 (14)	55 (2 1/8)	180 (7 1/8)
140kg (309lbs)	550 (21 3/4)	105 (4 1/4)	235 (9 3/4)	95 (3 3/4)	15 (5/8)	850 (33 1/2)	65 (2 1/2)	500 (19 3/4)	450 (17 3/4)	375 (14 3/4)	55 (2 1/8)	205 (8 1/8)

Information correct at time of going to press.

For further details please refer to our website aspenspumps.com

EN

Composite Bracket

KEY FEATURES

- Rust free – ideal where there is salty sea air
- 80kg maximum load
- Adjustable with 3 fixing points
- Fixing kit supplied
- Fast, easy 'snap on' leg assembly



Galvanised Arm

KEY FEATURES

- Industrial 41mm x 41mm channel
- Base of 130mm x 45mm
- 14mm diameter holes at 100mm centres
- 4600mm length available



SPECIFICATIONS

Composite Bracket
Materials of construction

Bracket: fibre reinforced nylon
Crossbar: glass reinforced polyester

Galvanised Arm
Materials of construction

Mild steel hot dipped galvanised

SIZING OPTIONS

Description	Max. Load	Height (mm)	Width (mm)	Depth (mm)	Part No.
Composite Bracket Type 1	80kg	410	-	460	B6760
Composite Bracket Type 2	80kg	410	790	460	B6761
Galvanised Arm 600	183kg**	132	-	600	B6860

* Point load 119kg
** Point load 92kg



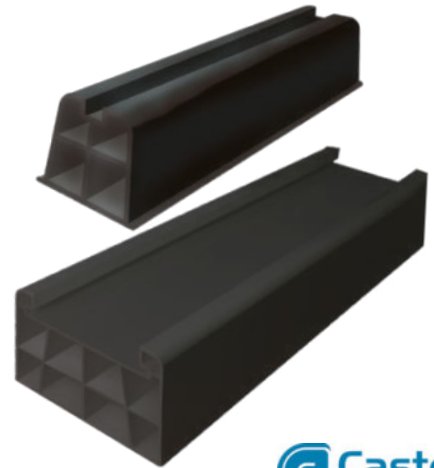
For further details please refer to our website aspenspumps.com/xtra

Information correct at time of going to press.



Condensing Unit Block

Increases the ground clearance of heat pumps & air conditioning units by fitting on the blocks. Further height can be achieved by using Riser Blocks.



End cap
Pt. B9381

KEY FEATURES

- Rises your outdoor unit to 17cm
- Fitted with anti-vibration stripes to dampen sound and vibration
- UV-resistant PVC
- Perfect for condenser units

CONDENSER CONNECTOR BLOCK SIZING OPTIONS

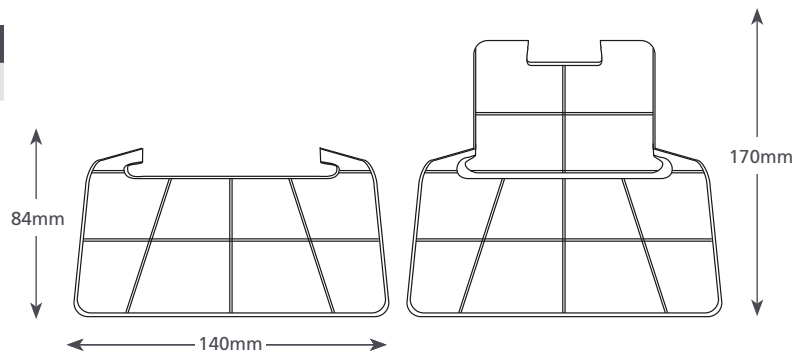
Description	Dimensions	Part No.	Pack Qty
450mm Black	105 X 86mm	B6658	12
1000mm Black	105 X 86mm	B6659	2

SPECIFICATIONS

Materials of construction: UV-resistant PVC

OPTIONAL BASE RISER BLOCK SIZING OPTIONS

Description	Dimensions	Part No.	Pack Qty
450mm Black	140 x 84mm	B6526	8
1000mm Black	140 x 84mm	B6528	2



For further details please refer to our website aspenspumps.com/xtra

Information correct at time of going to press.



Drip Tray

Condensing unit metal and plastic drip trays fit all Xtra brackets.

KEY FEATURES

- Both available in two sizes
- Flat packed with all required fixings
- The metal drip tray is supplied with a 15mm Tank Connector
- Compatible with Aspen Xtra B-Quik brackets B6381, B6382



Pipe Connector for Condenser Drain Pan
21.5mm OD / 19mm ID
Pt. B6400 (Bag of 1)

METAL DRIP TRAY SPECIFICATIONS

Materials of construction Galvanised mild steel, powder coated (ivory)

METAL DRIP TRAY SIZING OPTIONS

Description	Height (mm)	Width (mm)	Depth (mm)	Part No.
Small	50	800	400	B6147
Large	50	1100	400	B6146

PLASTIC DRIP TRAY SPECIFICATIONS

Materials of construction Rigid UV stabilised plastic

PLASTIC DRIP TRAY SIZING OPTIONS

Description	Height (mm)	Width (mm)	Depth (mm)	Part No.
Type 1	30	790	390	B6591
Type 2	30	940	420	B6592



For further details please refer to our website aspenspumps.com/xtra

Information correct at time of going to press.



Condensing Unit Guard

Easy to install durable powder coated aluminium framework and steel panels.



KEY FEATURES

- A range of 3 sizes
- Panels are removable to allow maintenance of the unit
- Adjustable feet to allow services at ground level
- Bottom panels and drip tray available for guard fixed at high level on wall
- Back panel available for free standing units
- Screws included

SPECIFICATIONS

Materials of construction

Zinc passivated steel with powder coating (ivory)



Have you considered your unit mounting options...

Big Foot Systems

'Fix-it Foot', available in various sizes up to 1m.

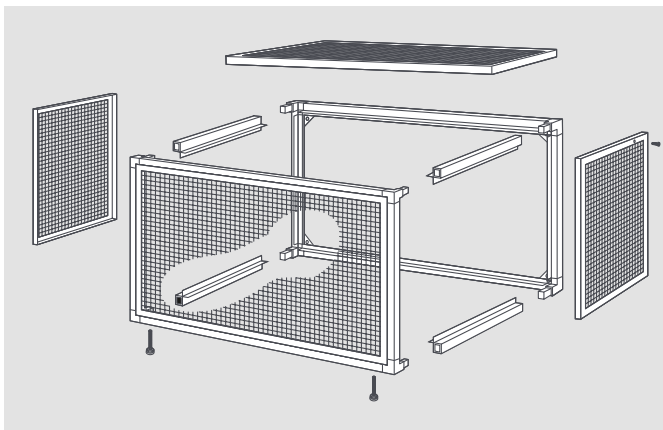


SIZING OPTIONS

Size	Weight	Ext. Height (mm)	Ext. Width (mm)	Ext. Depth (mm)	Int. Height (mm)	Int. Width (mm)	Int. Depth (mm)	Part No.
Small	19kg	700	1000	450	600	900	350	B6192
Medium	28.5kg	1100	1100	600	1000	1000	500	B6191
Large	34kg	1400	1100	600	1300	1000	500	B6190

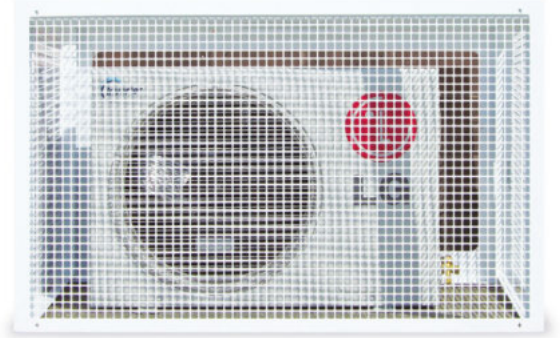
Individual panel part numbers:

Small front/back: Part No. B6404, Small top/bottom: Part No. B6406, Small sides: Part No. B6405
 Medium front/back: Part No. B6401, Medium top/bottom: Part No. B6402, Medium sides: Part No. B6402
 Large front/back: Part No. B6398, Large top/bottom: Part No. B6402, Large sides: Part No. B6399



For further details please refer to our website aspenspumps.com/xtra

Information correct at time of going to press.



Rapid Fit Guard

Rapid Fit Guards deter vandalism and prevent damage to valuable equipment whilst still quick to install.

KEY FEATURES

- Simple and easy to install tab and slot design allows panels to connect
- Panels are removable to allow maintenance of the unit
- Includes 3 x tamper resistant screws
- Adjustable feet to allow services at ground level
- Bottom panels and drip trays available for guard fixed at high level on wall

SPECIFICATIONS

Materials of construction

Zinc passivated steel with powder coating (ivory)



Have you considered your unit mounting options...

Big Foot Systems

'Fix-it Foot', available in various sizes up to 1m.



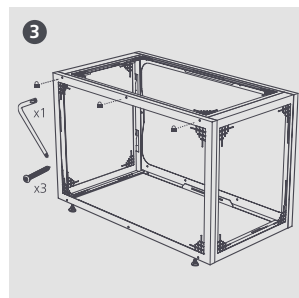
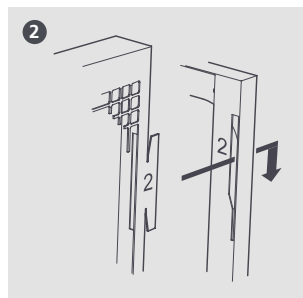
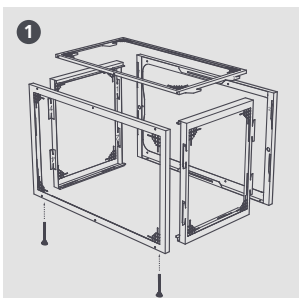
SIZING OPTIONS

Size	Weight	Ext. Height (mm)	Ext. Width (mm)	Ext. Depth (mm)	Int. Height (mm)	Int. Width (mm)	Int. Depth (mm)	Part No.
Small	21kg	660	1052	572	600	900	500	B9163
Medium	29kg	1060	1152	572	1000	1000	500	B9164
Large	39kg	1360	1152	572	1300	1000	500	B9165

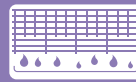
Bottom Panel – Small Guard: B9252
Bottom Panel – Medium/Large Guard: B9255



For further details please refer to our website aspenpumps.com/xtra



Information correct at time of going to press.



CONDENSATE MANAGEMENT



Vinyl Tubing

Flexible, durable and non toxic – we have the most extensive range on the market.

x30m CLEAR ROLLS

OPTIONS		
Size	Part No.	Pack Qty
1/4" (6mm)	AX5200	1
3/8" (10mm)	AX5201	1
1/2" (12mm)	AX5202	1



x30m REINFORCED (BRAIDED) CLEAR ROLLS

OPTIONS		
Size	Part No.	Pack Qty
1/4" (6mm)	AX5100	1
3/8" (10mm)	AX5101	1
1/2" (12mm)	AX5102	1
5/8" (15mm)	AX5103	1



x30m REINFORCED (BRAIDED) BLACK ROLLS

OPTIONS		
Size	Part No.	Pack Qty
1/4" (6mm)	AX5110	1
3/8" (10mm)	AX5111	1
1/2" (12mm)	AX5112	1
5/8" (15mm)	AX5113	1



CLEAR ROLL SPECIFICATIONS			
Working temp.	-10°C – 65°C		
Colour	Clear		
Diameter ID (mm)	1/4"	3/8"	1/2"
Diameter OD (mm)	6	10	12
Work Pressure (Bar)	10	14	16
Burst Pressure (Bar)	5	5	3
Fixed length (Metre)	15	15	9
Weight (Kg)	30	30	30
	2.01	3.00	3.55

REINFORCED (BRAIDED) ROLL SPECIFICATIONS				
Working temp.	-10°C – 65°C			
Colour	Clear/Black			
Diameter ID (mm)	1/4"	3/8"	1/2"	5/8"
Diameter OD (mm)	6	10	12	15
Work Pressure (Bar)	10	14	16	20
Burst Pressure (Bar)	8	8	6	7
Roll Length (Metre)	24	24	18	21
Weight (Kg)	30	30	30	30
	2.01	3.00	3.55	5.55

For further details please refer to our website aspenpumps.com/xtra

Information correct at time of going to press.



aspenpumps.com/xtra

+44 (0)1323 848842

xtra@aspenpumps.com

the installer's choice

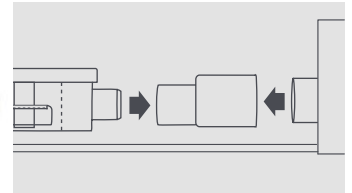
EN

Connectors

Mini Pump

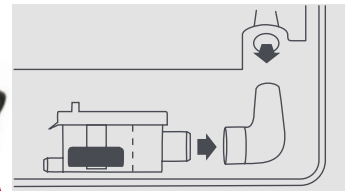
RUBBER ADAPTOR TO CONNECT A DUCTED UNIT TO A MINI PUMP

OPTIONS				
Ducted AC outlet OD	Reservoir Pump OD	Ideal Use	Part No.	Pack Qty
20mm	16mm	Fits Mitsu Heavy	FP2001	3
25mm	16mm	Daikin, Mitsu Elec/Heavy, Panasonic, LG	FP2002	3
32mm	16mm	Daikin, Mitsu Elec/Heavy, Panasonic, LG	FP2003	3



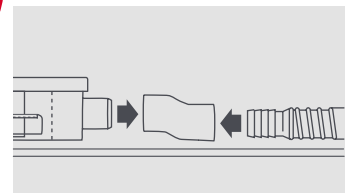
90° LONG ARM BEND TO CONNECT A WALL MOUNT TO MINI PUMP RESERVOIR

OPTIONS				
Drip tray outlet OD	Reservoir Pump OD	Ideal Use	Part No.	Pack Qty
12mm	16mm	LG wall mount and floor mount	FP2006	3
16mm	16mm	Wall mount and floor mount	FP2056	3



OFFSET CONNECTOR FOR A WALL MOUNT TO MINI PUMP RESERVOIR

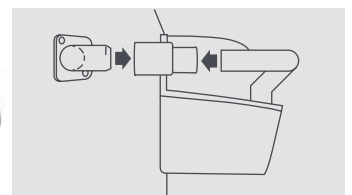
OPTIONS				
Drip tray outlet OD	Reservoir Pump OD	Ideal Use	Part No.	Pack Qty
16mm	16mm	Can be used universally	FP1024	5



Tank Pump

RUBBER ADAPTOR TO CONNECT A CASSETTE UNIT CONDENSATE DRAIN PIPE TO A TANK PUMP

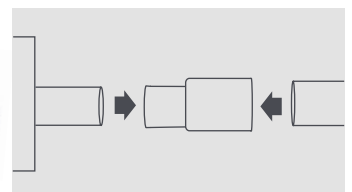
OPTIONS				
Cassette outlet OD	Overflow pipe OD	Ideal Use	Part No.	Pack Qty
16mm	21mm	Fits LG units	FP2011	3
26mm	21mm	Daikin, Panasonic	FP2012	3
32mm	21mm	Daikin, Mitsu Elec/Heavy, Panasonic, LG	FP2013	3



Pipe to Pipe

RUBBER ADAPTOR TO CONNECT 21mm OVERFLOW PIPE TO WASTE PIPE

OPTIONS				
Overflow pipe OD	Waste pipe OD	Ideal Use	Part No.	Pack Qty
21mm	25mm	Reducing or enlarging pipe diameters	FP2016	3
21mm	32mm	Reducing or enlarging pipe diameters	FP2017	3
21mm	40mm	Reducing or enlarging pipe diameters	FP2018	3



Note: All connectors should be fitted with the relevant cable ties

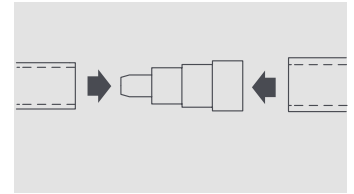
Information correct at time of going to press.

EN

Tube & Connector Fittings

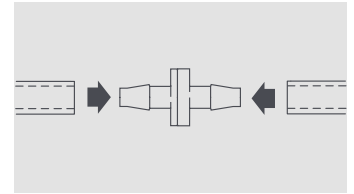
Adaptors/Straight Connectors

OPTIONS			
Size	Ideal Use	Part No.	Pack Qty
6mm – 10mm	1/4" to 3/8"	FP2020	5
6mm, 10mm or 12mm to 16mm	1/4" or 3/8" or 5/8" to 1/2"	FP2632	5



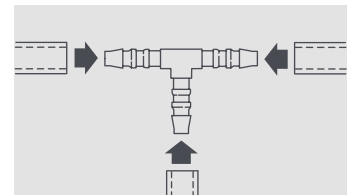
Non-return Valves

OPTIONS			
Size	Ideal Use	Part No.	Pack Qty
6mm (1/4")	Prevents backflow of water	FP2628	5
10mm (3/8")	Prevents backflow of water	FP2630	5



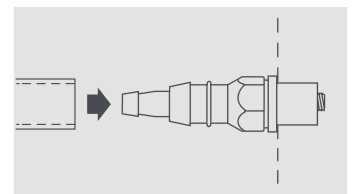
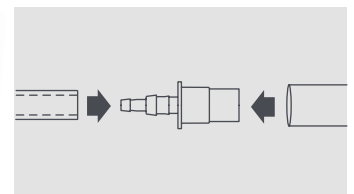
Hose to Hose

OPTIONS			
Size	Ideal Use	Part No.	Pack Qty
6mm (1/4")	Equal "T" Connector	FP2024	5
6mm (1/4")	Elbow Connector	FP2028	5
6mm (1/4")	Straight Connector	FP2622	5
10mm (3/8")	Equal "T" Connector	FP2030	5
10mm (3/8")	Elbow Connector	FP2032	5
10mm (3/8")	Straight Connector	FP2624	5
12mm (1/2")	Equal "T" Connector	FP2035	5
12mm (1/2")	Elbow Connector	FP2037	5
12mm (1/2")	Straight Connector	FP2039	5
15mm (5/8")	Equal "T" Connector	FP2041	5
15mm (5/8")	Elbow Connector	FP2043	5
15mm (5/8")	Straight Connector	FP2045	5



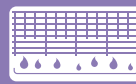
Hose to Overflow or Waste/Soil Pipe

OPTIONS			
Size	Ideal Use	Part No.	Pack Qty
6mm (1/4") or 10mm (3/8") – 21mm overflow pipe	Hose to Overflow	FP2040	3
6mm (1/4") or 10mm (3/8") – self sealing adaptor	Hose to Waste/Soil Pipe (Drill hole to 11.5mm diameter)	FP2038	3



Note: All connectors should be fitted with the relevant cable ties

Information correct at time of going to press.



CONDENSATE MANAGEMENT

EN

Xtra Rigid Pipe & Pipe Fittings



A range of high grade UPVC rigid HVAC/R condensate discharge pipe. With a superior internal smooth finish providing a low coefficient of flow friction which will help prevent build-up of debris, bacteria and blockages.

KEY FEATURES

- Complies with BS3505, MS628, SIRIM & SPAN listed
- Specifically designed and manufactured for the industry
- Greater wall thickness
- Smooth internal bore
- Greater rigidity requiring less supports
- Resistant to freezing & cracking
- Superior quality product for a more professional installation

SPECIFICATIONS

Colour	White or Black
Material	UPVC (unplasticized polyvinyl chloride)
Impact strength (Izod)	6 kg-cm/cm ²
Flame resistance	Self extinguishing
System type	Solvent weld

white or black available

PIPE x2.9M LENGTHS

Size	Part No.		Pack Qty
	White	Black	
3/4" – 15mm ID 21.5mm OD	B7501	B7617	20
1" – 20mm ID 26.7mm OD	B7502	B7618	20
1 1/4" – 25mm ID 33.6mm OD	B7503	B7619	10



45° ELBOW

Size	Part No.		Pack Qty
	White	Black	
3/4" – 15mm ID 21.5mm OD	B7521	B7623	5
1" – 20mm ID 26.7mm OD	B7522	B7624	5
1 1/4" – 25mm ID 33.6mm OD	B7523	B7625	5



STRAIGHT CONNECTOR

Size	Part No.		Pack Qty
	White	Black	
3/4" – 15mm ID 21.5mm OD	B7541	B7629	5
1" – 20mm ID 26.7mm OD	B7542	B7630	5
1 1/4" – 25mm ID 33.6mm OD	B7543	B7631	5



90° ELBOW

Size	Part No.		Pack Qty
	White	Black	
3/4" – 15mm ID 21.5mm OD	B7511	B7620	5
1" – 20mm ID 26.7mm OD	B7512	B7621	5
1 1/4" – 25mm ID 33.6mm OD	B7513	B7622	5



For further details please refer to our website aspenspumps.com/xtra

Information correct at time of going to press.

EN

Xtra Rigid Pipe & Pipe Fittings

white or black available



REDUCING SOCKET

Size	Part No.		Pack Qty
	White	Black	
3/4" - 1"	B7581	B7641	5
3/4" - 1 1/4"	B7582	B7642	5
1" - 1 1/4"	B7583	B7643	5



RODDING FITTING

Size	Part No.		Pack Qty
	White	Black	
1 1/4"	B7653	B7654	2



UPVC PIPE STUD CLIP*

Size	Part No.		Pack Qty
	White	Black	
3/4"	B7613	B7649	10
1"	B7612	B7648	10
1 1/4"	B7611	B7647	10



UPVC PIPE SURFACE CLIP*

Size	Part No.		Pack Qty
	White	Black	
3/4"	B7616	B7652	10
1"	B7615	B7651	10
1 1/4"	B7614	B7650	10



BARREL UNION

Size	Part No.		Pack Qty
	White	Black	
3/4" - 15mm ID 21.5mm OD	B7551	B7632	5
1" - 20mm ID 26.7mm OD	B7552	B7633	5
1 1/4" - 25mm ID 33.6mm OD	B7553	B7634	5



REDUCING BUSH

Size	Part No.		Pack Qty
	White	Black	
3/4" - 1"	B7591	B7644	5
3/4" - 1 1/4"	B7592	B7645	5
1" - 1 1/4"	B7593	B7646	5



FEMALE THREADED SOCKET

Size	Part No.		Pack Qty
	White	Black	
3/4" - 15mm ID 21.5mm OD	B7561	B7635	5
1" - 20mm ID 26.7mm OD	B7562	B7636	5
1 1/4" - 25mm ID 33.6mm OD	B7563	B7637	5



EQUAL TEE

Size	Part No.		Pack Qty
	White	Black	
3/4" - 15mm ID 21.5mm OD	B7531	B7626	5
1" - 20mm ID 26.7mm OD	B7532	B7627	5
1 1/4" - 25mm ID 33.6mm OD	B7533	B7628	5



MALE THREADED SOCKET

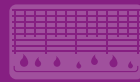
Size	Part No.		Pack Qty
	White	Black	
3/4" - 15mm ID 21.5mm OD	B7571	B7638	5
1" - 20mm ID 26.7mm OD	B7572	B7639	5
1 1/4" - 25mm ID 33.6mm OD	B7573	B7640	5



For further details please refer to our website aspenspumps.com/xtra

*The clips should be shielded from direct sunlight to maintain longevity of the installation

Information correct at time of going to press.



SERVICING



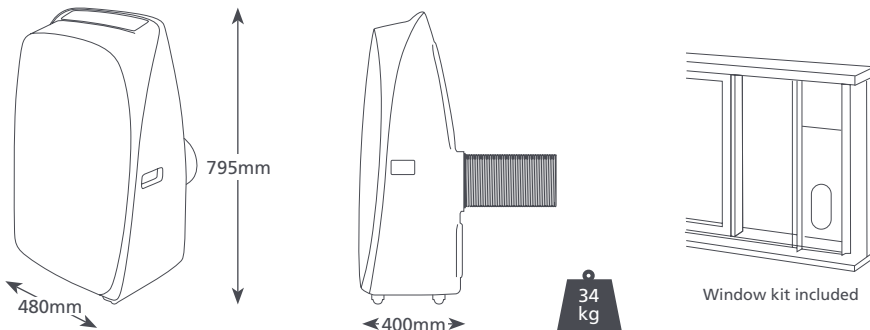
Portable Air Conditioning Unit

A portable AC unit with airflow adjustment, sleep & eco settings and a timer mode, meaning you can keep at a comfortable temperature wherever you are!



KEY FEATURES

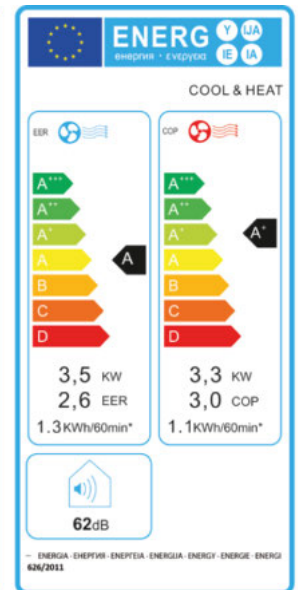
- Cooling/heating and cooling models
- Heating*, Cooling, Auto, Fan and Dehumidify
- Large Colour Digital Display
- Remote control
- Sleep, Eco and Timer modes
- Airflow adjustment
- Auto restart
- Infra red remote control
- Discharge hose with window & wall kit
- Self evaporating condensate system



SPECIFICATIONS	
Cooling capacity	12,000Btu/h – 3.5kW
Heating capacity	9,700Btu/h – 3.3kW*
Power supply	230v 50 / 60 Hz 6A
Temperature range	16-35°C
Sound level	62dB(A)
Power cable	1.9m with plug
Flexi outlet tube	135mm i/d, 147mm o/d, 1.8m length

* Heating model only

OPTIONS	
Description	Part No.
Cooling only (UK)	AX3000/1
Cooling & Heating (UK)	AX3005/1
Cooling only (EU)	AX3001/1
Cooling & Heating (EU)	AX3006/1



For further details please refer to our website aspenspumps.com/xtra

Information correct at time of going to press.



SERVICING



Accessories Kit

Designed to make life easier for installers and service engineers! With compartments chosen by you, this really is an essential piece of kit to have near. The toolbox comes with an illustrated guide on an outer card die-cut case, plus refill information.



product may differ to photo



KEY FEATURES

- 12 compartments contain a range of Xtra accessories
- Choose AX0005 or request your own selection
- Helps your professional install
- Accessories Kit is a robust toolkit and comes in outer card die-cut box for storage protection

SPECIFICATIONS

Height	355mm (14") Handle down 400mm (15.8") Handle up
Width	440mm (17.3")
Depth	79mm (3.1")
Weight	3kg (6.4 lbs.)
Compartments	12

OPTIONS

Description	Part No.
Xtra Accessories Kit	AX0005

IN THE KIT

6mm Straight Connector x5 • 10mm straight connector x5 • Self Sealing Soil Pipe Adaptor x3 • 21mm to 25mm Pipe Adaptor x3 • 21mm to 32mm Pipe Adaptor x3 • Straight Reducer 3/8" (10mm) to 1/4" (6mm) x5 • Tank Pump Connector 32mm to 21mm x3 • Tank Pump Connector 26mm to 21mm x3 • 1/4" (6mm) Elbow Connector x5 • 3/8" (10mm) Elbow Connector x5 • Tube Adaptors 21.5mm to 10mm or 6mm Flexible Tube x3 • Mini Pump Connectors 16mm – 25mm x3 • Mini Pump Connectors 16mm – 32mm x3 • 1/4" (6mm) Equal "T" Connector x5 • 3/8" (10mm) Equal "T" Connector x5 • Sortimo Toolbox x1



For further details please refer to our website aspenpumps.com/xtra

Information correct at time of going to press.



CONTACT THE ENGINEER

HAVE ANY COMMENTS?
NEED ANY ADVICE?

@aspenpumps.com



aspenpumps.com/xtra

+44 (0)1323 848842

xtra@aspenpumps.com

the installer's choice

EN

Tech Pro Pac[®] Tool Bags

Designed for the HVAC/R technicians' tools and working environment. The Tech Pro Pac tool bags are built to last.



AX3501 TECH-PAC

KEY FEATURES

- Tough plastic handles
- Heavy duty fastenings and zips
- Hinged ergonomic handles
- Waterproof base (3mm polypropylene)
- Weatherproof body fabric (1800 PVC impregnated denier fabric)
- Large tool pockets
- Small punch & bit pockets
- Small neoprene pockets

SPECIFICATIONS

Part No.	Product name	Width	Length	Height	Weight	Pocket count
AX3500	Tech LC	241mm (9.5")	342mm (13.5")	483mm (19") (330mm (13") handle down)	3.2kg (7.2 lbs.)	53
AX3501	Tech Pac	251mm (9.875")	362mm (14.25")	546mm (21.5") (457mm (18.125") handle down)	4kg (9 lbs.)	56
AX3502	Tech Pac LT	216mm (8.5")	356mm (14")	483mm (19")	3.3kg (7.4 lbs.)	27
AX3503	Tech XL	241mm (9.5")	419mm (16.5")	527mm (20.75")	4.2kg (9.4 lbs.)	80
AX3506	MC	203mm (8")	254mm (10")	317.5mm (12.5")	1.8kg (4 lbs.)	20
AX3513	MCT	210mm (8")	260mm (10")	360mm (14")	2.6kg (5.8 lbs.)	44
AX3509	OT-LC	241mm (9.5")	343mm (13.5")	305mm (12") handle down	3.5kg (7.8 lbs.)	36



AX3500 TECH-LC



AX3502 TECH PAC LT



AX3503 TECH-XL



AX3506 MC



AX3513 TECH MCT



AX3509 OT-LC



Full technical sheets for the entire Veto Pro Pac tool bags range are available to download at www.aspenpumps.com/xtra

Bags supplied without tools. 5 year zero downtime warranty. Terms and conditions apply.

For further details please refer to our website aspenpumps.com/xtra

Information correct at time of going to press.

EN

Tech Pro Pac[®] Utility Pouches

Small yet spacious, these clip-on bags are designed to hold a small selection of meters, analysers and repair tools.



AX3505 TP4

KEY FEATURES

- Organise multiple job specific bags
- Heavy duty fastenings and clips
- Detachable rubber handles
- Can clip onto any model Veto tool bag's tape clip or D-Rings
- Weatherproof body fabric (600-1200 PVC impregnated denier fabric)
- Nylon plastic connection clips
- Various size Tool pockets
- 5 year zero downtime warranty*

SPECIFICATIONS

Part No.	Product name	Width	Length	Height	Weight	Pocket count
AX3504	TP3	121mm (4.75")	140mm (5.5")	241mm (9.5")	0.36kg (0.79 lbs.)	19
AX3505	TP4	177mm (7")	120mm (4.75")	240mm (9.5")	0.72kg (1.6 lbs.)	20
AX3507	MB Meter Tool Pouch	76mm (3")	203mm (8")	229mm (9")	0.9kg (2 lbs.)	10
AX3508	MB2 Meter Tool Pouch	76mm (3")	203mm (8")	330mm (13")	0.9kg (2 lbs.)	10



AX3504 TP3



AX3507 MB



AX3508 MB2



Full technical sheets for the entire Veto Pro Pac tool bags range are available to download at www.aspenpumps.com/xtra

Bags supplied without tools. 5 year zero downtime warranty. Terms and conditions apply.

For further details please refer to our website aspenpumps.com/xtra

Information correct at time of going to press.



ANCILLARIES



Fast Clip

KEY FEATURES

- Clips onto the fixed rail inside ducts
- Keep tubing in place during install
- Standard packing without cable binder
- Compatible with SpeediDuct™ and Optimal trunking



Part No.

B6019 (bag of 100)

B6100 (bag of 10 plus Tie)

Condensate Traps

KEY FEATURES

- Easy to install for air handling units with 3/4" female outlets
- Use on any residential or commercial air conditioning system
- Easy inspection, transparent trap
- High level safety switches
- Compatible to Aspen Xtra Rigid Pipe range

OPTIONS

Size		Part No.
3/4" (Economy)	EZT-113B	FP2462
3/4" (Waterless)	EZT-150	FP2463
3/4" (Economy and Overflow Switch)	EZT-210	FP2464
3/4" Slip Fit (Close coupled overflow switch)	EZT-226	FP2465



EZT-113B



EZT-150



EZT-210



EZT-226



For further details please refer to our website aspenpumps.com/xtra

Information correct at time of going to press.



ANCILLARIES

EN

Pump Accessories

Peristaltic Pumps

SPARE HEAD TUBE KIT

Part No.
FP1282



(Bag of 1)

ROTOR ASSEMBLY

Part No.
SA1382



SILICON GREASE 100g

Part No.
2457



FRONT HOUSING

Part No.
1159



BACK PLATE

Part No.
SA1161



PUMP BRACKET

Part No.
2716
(Universal/Standard)



2m STANDARD PLUG-IN CABLE

Part No.
1523/1



3m UNIVERSAL PLUG-IN CABLE

Part No.
1573/1



PUMP BRACKET

Part No.
1553/1
(Mechanical/MK4)



Mini Pumps

4.3m MINI ORANGE CABLE EXT. KIT

Part No.
FP2940



MINI BLANC IVORY COVER

Part No.
FP1037



MINI LIME INLET HOSE LENGTH

Part No.
2472 (1m) / 2419 (25m)
(14mm I/D and 19mm O/D)



DRAIN TRAY CONNECTOR 16mm

Part No.
FP2626



(Reservoir connector, 18,16 and 14mm pipe fitting)

INLINE FILTER 3/8" / 10mm

Part No.
FP2638



(bag of 3)

1 AMP FUSE AND HOLDER

Part No.
FP2620
(Bag of 2)



INLINE FILTER 1/4" / 6mm

Part No.
FP2636



(bag of 3)

INLINE FILTER MICRO-V i⁴

Part No.
FP2647



(bag of 3)

INLINE FILTER 16mm

Part No.
FP2640
(bag of 3)



Cleaning and General

ACID NEUTRALISER

Part No.
FP1021



(box of 1. more information on page 82)

STAYCLEAN STRIP

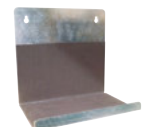
Part No.
FP1248



(bag of 3)

TANK PUMP BRACKET

Part No.
SA1115
(Hi-flow, Hi-lift)



For further details please refer to our website aspenspumps.com/xtra

Information correct at time of going to press.



aspenspumps.com/xtra

+44 (0)1323 848842

xtra@aspenspumps.com

the installer's choice



ANCILLARIES

EN

Acid Neutraliser

KEY FEATURES

- For treating harmful condensates created in condensing boilers
- For domestic boilers up to 45kW
- Fits in line with the 22mm ø condensate outlet pipe from domestic boilers
- Environmentally friendly; no chemicals
- Active contents work for 1 year* (reminder sticker for boiler included)
- Contains naturally occurring calcium carbonate (limestone)
- Compression fittings provide watertight seal and allow for easy replacement



Part No.

FP1021 (box of 1)

SPECIFICATIONS

Max water flow	1Ltr/minute
Max pressure	2 bar (70psi)
Diameter	41.5mm ø max
Length	260mm
Contents weight	150g
Total weight	250g
Max temp.	80°C

* Typical lifetime based on domestic boilers up to 45kW. Lifetime depends on boiler efficiency (volume of condensate and PH level).



For further details please refer to our website aspenspumps.com/xtra

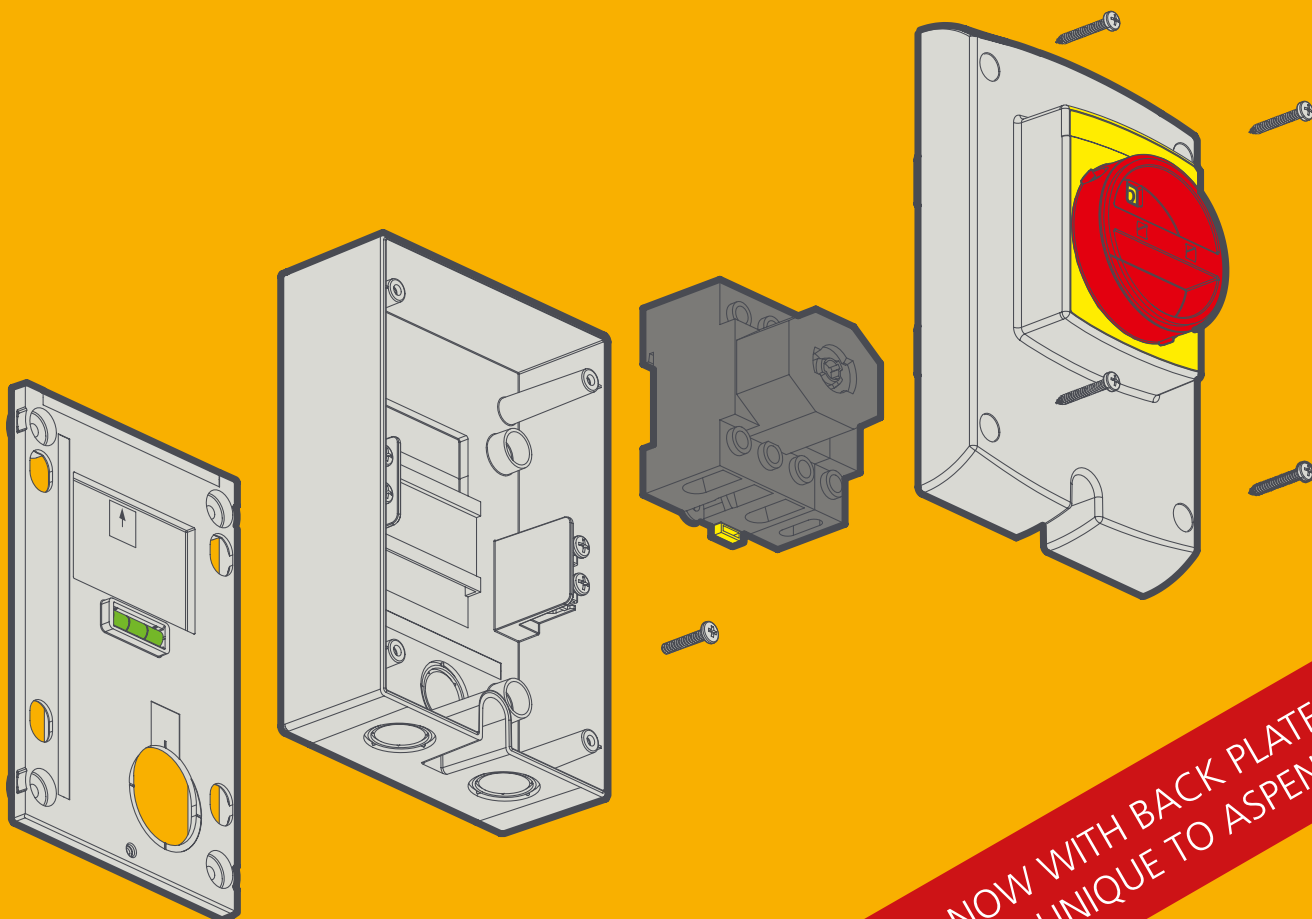
Information correct at time of going to press.



DON'T JUDGE AN ISOLATOR BY IT'S COVER!



- Separate back plate with spirit level for ease of installation
- 9 Isolator models available in large and small
- Surface mountable (with/without back plate)
- Removable switch for ease of wiring
- IP66 rated for interior and exterior use



NOW WITH BACK PLATE
— UNIQUE TO ASPEN



ASPENPUMPS.COM/XTRA
designed by engineers for engineers

Follow us on



Simply a better way 


BIG FOOT[®]
SYSTEMS

BIG FOOT SYSTEMS

Rooftop building services support systems





ANCILLARIES

Product selector	88-89
H Frame Set 305mm (12")	90
H Frame Set 450mm (18")	91
H Frame Set 600mm (24")	91
Multi Foot	92
Fix-it Foot	93
High Bloc	93
AV Pads	94
Vibromat	94
Mounting Platforms	95
Swan Necks	95

AC SUPPORT SYSTEMS

Product selector	96-97
Mini Split Kit	98
Lock 'n' Load	99
Mini Split Stand Range	100
VRF/VRV Stand Range	101
Multi Frame	102
Standard Frames	103
Bespoke Frames	104

AHU SUPPORT SYSTEMS

Standard Frames	107
Bespoke Frames	108
HD Beams	109

CHILLERS

HD Cube	111
HD Beam	112
Bespoke Frames	113

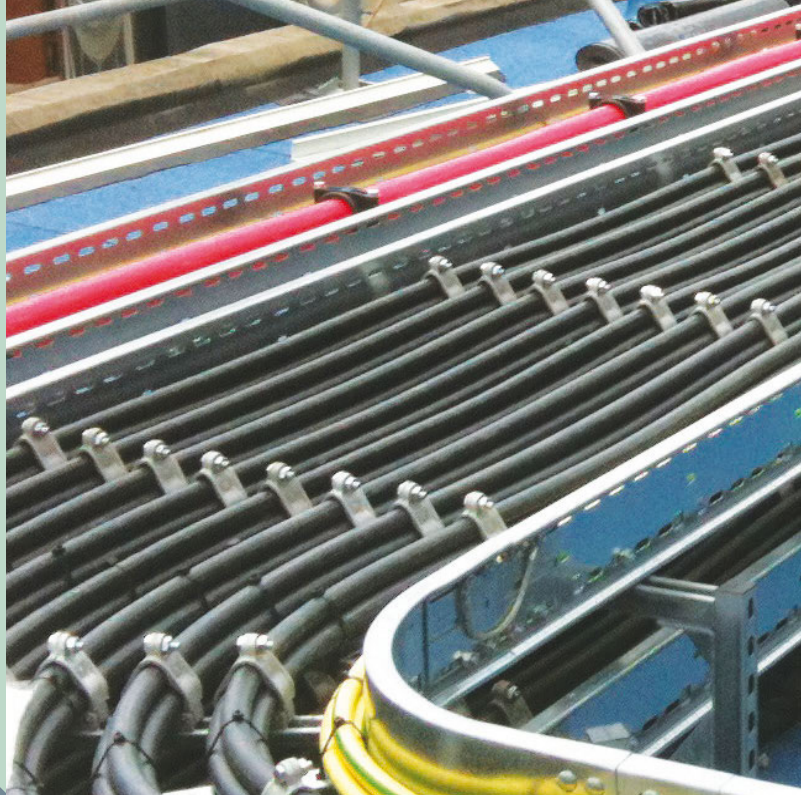
SAFE ACCESS

Step Overs	115
Rapid Walkway	116
Plant Deck Frame	117





ANCILLARY SUPPORT RANGE



Service containment such as duct, pipework and cable ladder/tray can be supported using a number of products from Big Foot Systems Ancillaries range.

Designed to protect lightweight modern roofs, these offer a range of benefits including cost and time-effective installation and improved system aesthetics without penetrating the roof top.

ANCILLARIES SELECTOR

ELECTRICAL	Cable Basket
	Small Cable Tray
	Larger Cable Tray
	Cable Ladder
	*Bus Bars
DUCT	Small Duct
	*Larger Duct
	*Attenuators, (Silencers)
PIPE	Small F&R Pipe
	Medium F&R Pipe
	Large F&R Pipe
	*Multiple Pipe Runs

* Weight dependant



ANCILLARIES RANGE

Find the best solution for supporting services on your roof top using the simple Big Foot Systems Ancillaries range selector...

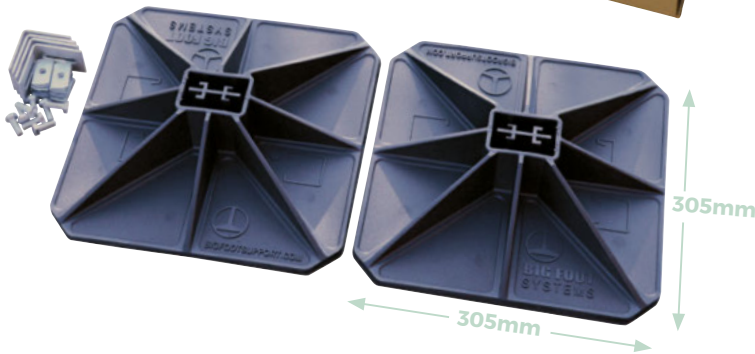
 <p>H Frame Set 305 Page 90</p>	 <p>H Frame Set 450 & 600 Page 91</p>	 <p>Fix-it Foot Page 93</p>	 <p>Multi Foot Page 92</p>
		✓	
✓		✓	✓
✓	✓	✓	✓
	✓		
	✓		
✓			✓
✓	✓		
	✓		
		✓	✓
✓			✓
	✓		
	✓		

Information correct at time of going to press.

H Frame Set 305mm (12")

H Frame Sets are an economical support solution for pipe or duct. They accept a range of strut, and by fabricating the frame on-site, they are the flexible choice

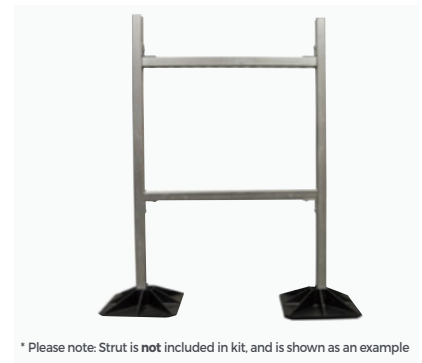
ALL
IN ONE
BOX!



FEATURES

- 305mm (12") feet
- Interchangeable with three strut* sizes:
 - 21 × 41mm (13/16 × 15/8")
 - 40 × 38mm (1 1/16 × 1 1/2")
 - 41 × 41mm (1 5/8 × 1 5/8")
- Versatile application
- Adhered rubber mats provide additional roof protection
- Boxed for convenience

APPLICATION



H FRAME SET

Description	Part no.	Foot Size		Weight		Max. Load	
		mm	Inches	Kg	Lbs	Kg	Lbs
305mm (12")	B6088	305	12	3.65	8	300	661
305mm (12") - 5 Pack	B9645	305	12	18.25	40	300	661

KIT INCLUDES

Foot with adhered mat	× 2
Bracket & fixings	× 4
Assembly instructions	× 1

Information correct at time of going to press.

H Frame Set 450mm (18") 600mm (24")

Where a greater load distribution is required for applications such as large ductwork, 450mm (18") or 600mm (24") H Frame Sets are also available

FEATURES

- 450mm (18") or 600mm (24") feet
- Suits 41 × 41mm (1 5/8 × 1 5/8") strut*
- Excellent load distribution
- Versatile application
- Rubber mats provide additional roof protection
- Boxed for convenience

APPLICATION



* Please note: Strut is **not** included in kit, and is shown as an example

KIT INCLUDES

Foot	× 2
Rubber mat	× 2
Strut Insert	× 2
Bracket & fixings	× 2
Assembly instructions	× 1



ALL
IN ONE
BOX!

H FRAME SET

Description	Part no.	Foot Size		Weight		Max. Load	
		mm	Inches	Kg	Lbs	Kg	Lbs
450mm (18")	B6089	450	17 1/8"	14	31	500	1102
600mm (24")	B9222	600	23 5/8"	25	55	500	1102

Information correct at time of going to press.

Multi Foot

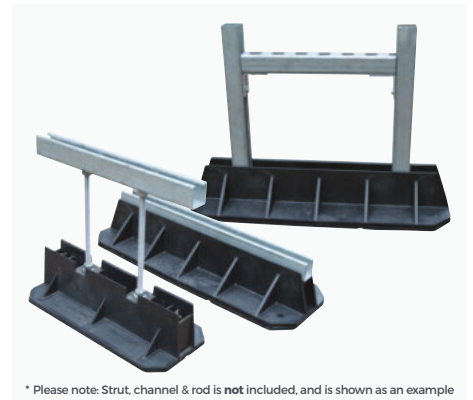
Multi Foot is a multi-purpose support for cable tray or pipe. Used with channel, strut or threaded rod, this simple nylon foot is both versatile and economical



FEATURES

- Quick and easy install
- Available in 2 sizes
- Rigid nylon foot
- Versatile application using channel, strut or threaded rod
- Accepts a full range of strut sizes
- Adhered rubber mats provide additional roof protection
- Boxed for convenience

APPLICATION



* Please note: Strut, channel & rod is not included, and is shown as an example



MULTI FOOT PACKS

Description	Part no.	Length		Width		Height		Weight		Max. Load	
		mm	Inches	mm	Inches	mm	Inches	Kg	Lbs	Kg	Lbs
400mm (16") - 4 Pack	B9640	400	15 3/4	180	7 1/8	80	3 1/8	6	13.2	259	571
600mm (24") - 3 Pack	B9655	600	23 5/8	220	8 1/8	80	3 1/8	11.7	25.7	474	1045

Information correct at time of going to press.

Fix-it Foot & High Bloc

The neat and tidy rubber Fix-it Foot is simple, durable and comes in a variety of sizes. Extra clearance can be created using a High Bloc which fits underneath

FEATURES

- Quick and simple install
- Aluminium channel securely anchored in top for easy fixing of services
- Wide range of height and length options available
- Durable recycled rubber reduces vibration and adds stability



See pages 51-52 for the Xtra section of clips that are compatible with these products.



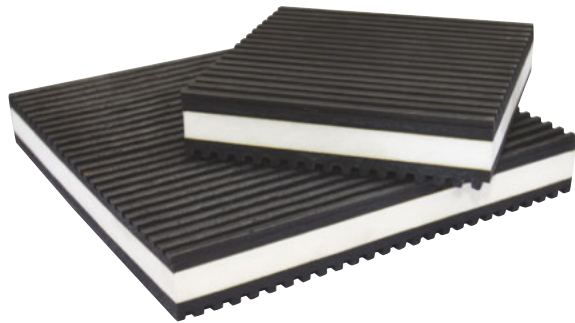
FIX-IT FOOT

Description	Part no.	Length		Width		Height		Weight		Max. Load	
		mm	Inches	mm	Inches	mm	Inches	Kg	Lbs	Kg	Lbs
250 (10")	B6735	250	9 1/16	180	7 1/16	95	3 3/4	2.4	5.3	82	181
400 (16")	B6736	400	15 3/4	180	7 1/16	95	3 3/4	3.5	7.8	128	282
600 (24")	B6737	600	23 5/8	180	7 1/16	95	3 3/4	5.8	12.7	224	494
1000 (40")	B9096	1000	39 3/8	180	7 1/16	95	3 3/4	9.9	21.9	295	650
250 (10") Low	B9043	250	9 1/16	130	5 1/8	50	1 15/16	1.3	2.9	82	181
400 (16") Low	B9045	400	15 3/4	130	5 1/8	50	1 15/16	2.1	4.5	128	282
500 (20") Low	B9368	500	19 1/16	130	5 1/8	50	1 15/16	2.5	5.4	134	295
600 (24") High Bloc	B6974	600	23 5/8	180	7 1/16	120	4 3/4	10.2	22.4	224	494
1000 (40") High Bloc	B6973	1000	39 3/8	180	7 1/16	120	4 3/4	17.7	38.9	295	650

Information correct at time of going to press.

AV Pads

AV Pads come in a range of sizes and offer isolation against vibration between the unit and the Big Foot Frame



FEATURES

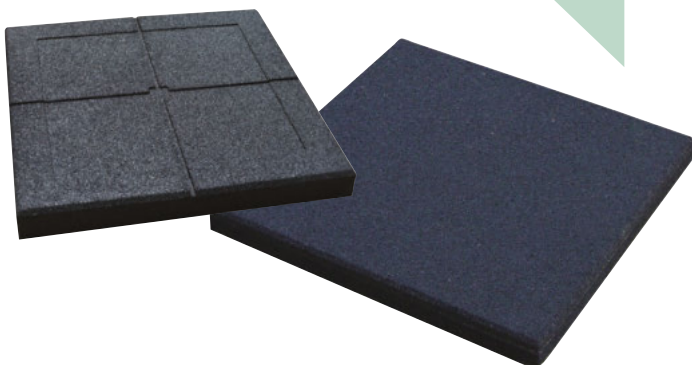
- Anti-vibration core
- Outer layer corrugated anti-slip rubber
- Available in 6 sizes

AV PADS

Description	Part no.	Length		Width		Height	
		mm	Inches	mm	Inches	mm	Inches
51mm (2")	B6909	51	2	51	2	22.2	$\frac{7}{8}$
76mm (3")	B6910	76	3	76	3	22.2	$\frac{7}{8}$
101mm (4")	B6911	101	4	101	4	22.2	$\frac{7}{8}$
152mm (6")	B6912	152	6	152	6	22.2	$\frac{7}{8}$
305mm (12")	B6913	305	12	305	12	22.2	$\frac{7}{8}$
457mm (18")	B6914	457	18	457	18	22.2	$\frac{7}{8}$

Vibromats

A range of durable rubber mats that can lay directly on the rooftop to protect it from potential damage from foot fall and ancillary equipment



FEATURES

- Ideal for walkways and to protect roof surfaces
- Durable recycled rubber reduces vibration
- 5 options available*

VIBROMATS

Description	Part no.	Length		Width		Height	
		mm	Inches	mm	Inches	mm	Inches
Small Strip*	B6491	600	23 $\frac{3}{8}$	150	5 $\frac{7}{8}$	30	1 $\frac{3}{16}$
Large Strip*	B6282	1000	39 $\frac{3}{8}$	500	19 $\frac{1}{16}$	30	1 $\frac{3}{16}$
Plain Tile 400	B9641	400	15 $\frac{3}{4}$	400	15 $\frac{3}{4}$	36	1 $\frac{1}{2}$
Plain Tile 500	B6416	500	19 $\frac{1}{16}$	500	19 $\frac{1}{16}$	45	1 $\frac{3}{4}$
Plain Strip	B6024	1000	39 $\frac{3}{8}$	75	3	15	$\frac{9}{16}$

*NOTE: Small Strip and Large Strip include 2 no. steel plate core at either end

Information correct at time of going to press.

Mounting Platforms

A simple platform support using either our 305mm (12") or 450mm (18") feet, available with a plain, 2 or 4 sided top

FEATURES

- Simple and versatile kit
- Central M10 threaded insert on the platform

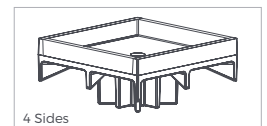
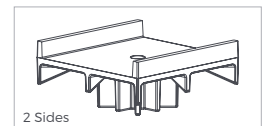
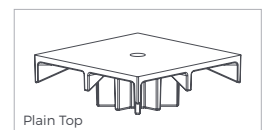


KIT INCLUDES

- Platform × 2
- Foot & mat × 2

MOUNTING PLATFORMS

Description	Part no.	Usable Area	
		mm	Inches
305mm (12") Plain Top	B9098	126 × 126	5 × 5
305mm (12") 2 Sides	B9099	114 × 126	4 ½ × 5
305mm (12") 4 Sides	B9100	114 × 114	4 ½ × 4 ½
450mm (18") Plain Top	B9101	126 × 126	5 × 5
450mm (18") 2 Sides	B9102	114 × 126	4 ½ × 5
450mm (18") 4 Sides	B9103	114 × 114	4 ½ × 4 ½

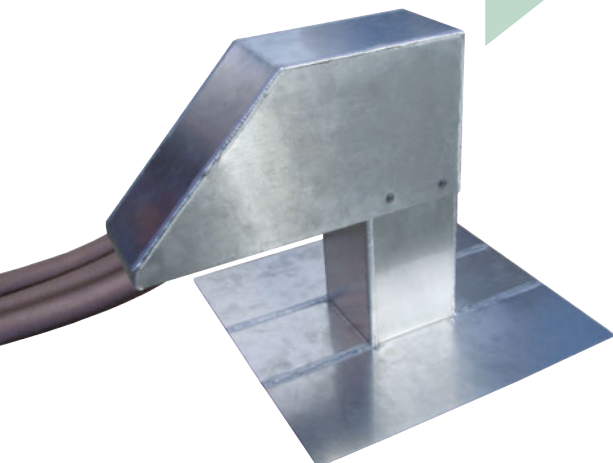


Swan Necks

When penetrating the roof with cable or pipe runs, our Swan Necks make a full seal with the roof membrane

FEATURES

- Lightweight aluminium
- Full hood to protect against rain ingress
- Range of sizes



SWAN NECKS

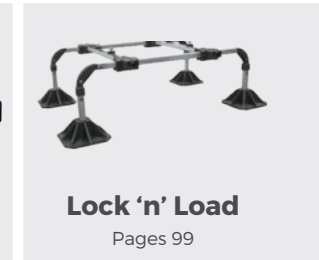
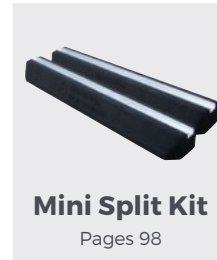
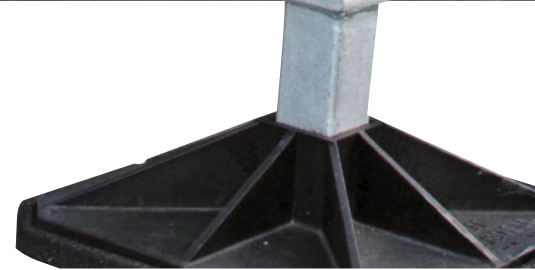
Description	Part no.	Outlet Size		No. of Outlets	Height	
		mm	Inches		mm	Inches
Square Small	B9154	75 × 75	3 × 3	1	484	15 ¾
Square Medium	B9148	125 × 125	5 × 5	1	484	15 ¾
Square Large	B9149	200 × 200	8 × 8	1	484	15 ¾
Oblong Small	B9150	125 × 250	5 × 10	1	484	15 ¾
Oblong Double	B9152	125 × 250	5 × 10	2	484	15 ¾
Oblong Large	B9151	125 × 500	5 × 20	1	484	15 ¾

Information correct at time of going to press.

AC UNIT SUPPORT RANGE

Our range provides a quick to install, non-penetrative solution to suit all leading AC manufacturers units.

Our standard product range is available next day from stock. With an ever increasing number of AC manufacturers, our Bespoke Frames are dimensionally configurable at design stage and utilise standard componentry.



1-2 No. A/C Split units	✓	✓
3-4 No. A/C Split units		✓
5-6 No. A/C Split units		✓
7+ No. A/C Split units		✓
1 No. VRF/VRV unit*		
2 No. VRF/VRV units*		
3 No. VRF/VRV units*		
4+ No. VRF/VRV units*		

Information correct at time of going to press.

* Based on typical carcass size of 990mm x 760mm (39" x 29 1/2")



Find the Big Foot Systems product - best suited for the Air Conditioning units you wish to support - using this simple selector...



Mini Split Stand Range

Page 100



VRF/VRV Stand Range

Page 101



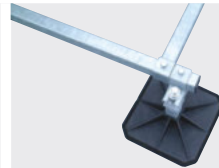
Multi Frame

Page 102



Standard Frames

Page 103



Bespoke Frames

Page 104

Mini Split Stand Range	VRF/VRV Stand Range	Multi Frame	Standard Frames	Bespoke Frames
✓		✓	✓	✓
✓		✓	✓	✓
✓		✓	✓	✓
✓		✓		✓
	✓	✓	✓	✓
	✓	✓	✓	✓
	✓	✓	✓	✓
	✓	✓		✓

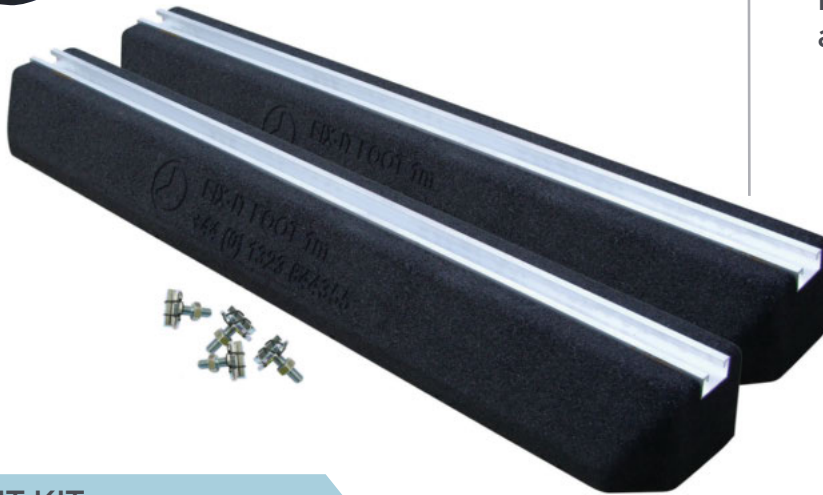
Information correct at time of going to press.

Mini Split Kit

The Mini Split Kit is a simple and neat solution. With channel recessed into the rubber foot, it allows for easy fixing and also offers built-in anti-vibration

FEATURES

- Available in 2 sizes
- Boxed kit with fixings
- Quick and simple install
- Aluminium channel securely anchored in top for easy fixing of unit
- Durable recycled rubber reduces vibration and adds stability



MINI SPLIT KIT

Description	Part no.	Length		Width		Height		Weight		Max. Load	
		mm	Inches	mm	Inches	mm	Inches	Kg	Lbs	Kg	Lbs
600mm (24")	B9284	600	23 5/8	180	7 1/8	95	3 3/4	11	12.1	448	998
1000mm (40")	B9530	1000	39 3/8	180	7 1/8	95	3 3/4	19	20.9	590	1300

KIT INCLUDES

Rubber Foot	× 2
Fixing kit	× 2

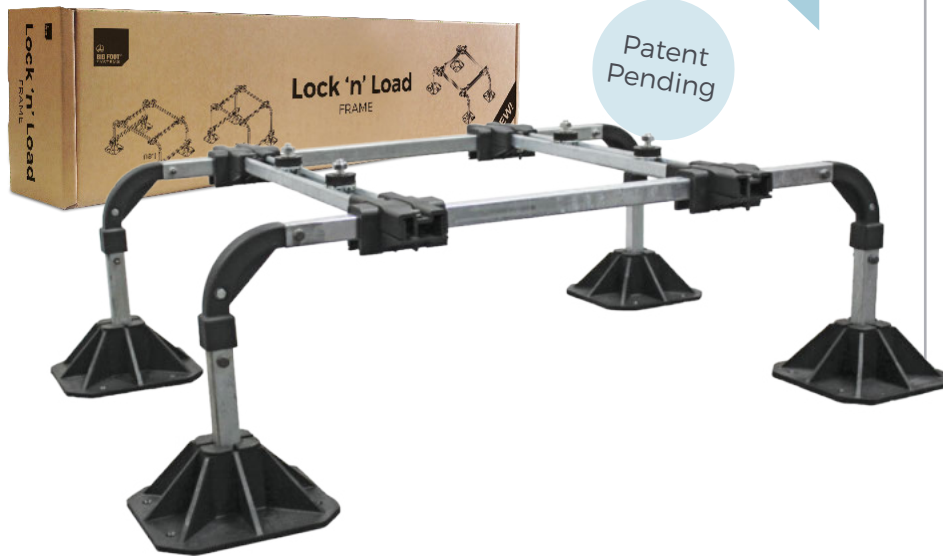
Information correct at time of going to press.

Lock 'n' Load

With its unique design, the Lock 'n' Load combines a steel frame and reinforced plastic connectors, offering flexibility and a quick installation - in one box!

FEATURES

- 200mm (8") Feet
- 3 heights available with optional Extender Kits
- Fast assembly
- Fully adjustable cross bars
- Support individual or multiple mini split units
- Galvanized steel frame with reinforced plastic connectors
- Anti-vibration mounts



LOCK 'N' LOAD FRAME

Description	Part no.	Length		Width		Height		Weight		Max. Load	
		mm	Inches	mm	Inches	mm	Inches	Kg	Lbs	Kg	Lbs
Low Frame	B5623	1096	43 3/16	767	30 3/16	305	12	9.9	22	150	331
Medium Frame	B5625	1096	43 3/16	767	30 3/16	450	18	13.5	30	150	331
High Frame	B5627	1096	43 3/16	767	30 3/16	600	24	14.4	32	150	331
Wide Low Frame	B5650	1096	43 3/16	1067	42	305	12	9.9	22	150	331
Wide Medium Frame	B5651	1096	43 3/16	1067	42	450	18	13.5	30	150	331
Wide High Frame	B5652	1096	43 3/16	1067	42	600	24	14.4	32	150	331
Low Extender	B5624	1096	43 3/16	820	32 3/16	305	12	7.5	17	150	331
Medium Extender	B5626	1096	43 3/16	820	32 3/16	450	18	11	24	150	331
High Extender	B5628	1096	43 3/16	820	32 3/16	600	24	11.5	25	150	331
Tower	B5629	1096	43 3/16	767	30 3/16	305 & 1426	12 & 56	26.2	58	150 & 150	331 & 331

KIT INCLUDES

Description	Frame	Ext.	Tower
200mm (8") Foot & insert	× 4	× 2	× 4
End bar assembly	× 2	× 1	× 2
Cross bar assembly	× 2	× 2	× 4
Assembly fixing kit	× 2	× 2	× 4
Mounting fixing kit (2 pack)	× 2	× 2	× 4

Information correct at time of going to press.

Mini Split Stand Range

The Mini Split Stand Range is available in a variety of frame sizes to suit a single unit or, with the addition of extender kits, you can support multiple mini splits

FEATURES

- 200mm (8") Feet
- Available in 3 heights
- Optional Extender Kits and Risers
- Support individual or multiple mini split units
- Adjustable slotted channel cross bar, to suit industry standard fixings
- Anti-vibration mounts
- Quick to assemble



MINI SPLIT STAND RANGE

Description	Part no.	Length		Width		Height		Weight		Max. Load	
		mm	Inches	mm	Inches	mm	Inches	Kg	Lbs	Kg	Lbs
Low	B5550	475	18 1/16	419 - 619	16 1/2 - 24 3/8	305	12	20	44	175	385
High	B5551	475	18 1/16	419 - 619	16 1/2 - 24 3/8	450	17 1/16	22	49	175	385
Tower	B5552	475	18 1/16	419 - 619	16 1/2 - 24 3/8	305 & 1000	12 & 39 3/8	35	77	300	661
Low Extender	B5553	950	37 3/8	419 - 619	16 1/2 - 24 3/8	305	12	18	40	175	385
High Extender	B5554	950	37 3/8	419 - 619	16 1/2 - 24 3/8	450	17 1/16	19	42	175	385
Riser (4 Pack)	B5555	-	-	-	-	152	6	1.5	3	-	-
Riser (2 Pack)	B5562	-	-	-	-	152	6	0.75	2	-	-

KIT INCLUDES

Description	Frame	Ext.	Tower
200mm (8") Foot & insert	× 4	× 2	× 4
End bar	× 2	× 1	× 2
Cross bar	× 2	× 2	× 4
Fixing kit	× 4	× 4	× 8

Information correct at time of going to press.

VRF/VRV Stand Range

The Stand Range is a versatile ground mount frame system, and with the optional Extender Kits, it is compatible with all leading VRF/VRV units

FEATURES

- 200mm (8") Feet
- Available in 3 lengths
- Optional Extender Kits
- Support individual or multiple VRF/VRV units
- Adjustable slotted channel cross bar, to suit industry standard fixings
- Clamp kits
- Quick to assemble



VRF/VRV STAND RANGE

Description	Part no.	Length		Width		Height		Weight		Max. Load	
		mm	Inches	mm	Inches	mm	Inches	Kg	Lbs	Kg	Lbs
990 (38") Frame	B5556	990	32 3/8	620 - 780	24 3/8 - 30 1/8	305	12	35	77	600	1323
1290 (51") Frame	B5557	1290	44 1/4	620 - 780	24 3/8 - 30 1/8	305	12	38	84	500	1102
1450 (57") Frame	B5558	1450	50 3/4	620 - 780	24 3/8 - 30 1/8	305	12	41	90	400	882
990 (38") Extender	B5559	990	32 3/8	620 - 780	24 3/8 - 30 1/8	305	12	25	55	600	1323
1290 (51") Extender	B5560	1290	44 1/4	620 - 780	24 3/8 - 30 1/8	305	12	28	62	500	1102
1450 (57") Extender	B5561	1450	50 3/4	620 - 780	24 3/8 - 30 1/8	305	12	31	68	400	882

KIT INCLUDES

Description	Frame	Ext.
200mm (8") Foot & insert	× 4	× 2
End bar	× 2	× 1
Cross bar	× 2	× 2
Fixing kit	× 4	× 4

Information correct at time of going to press.

Multi Frame

The Multi Frame has the ability to extend from any side using the Extension Kit, giving you the flexibility to create the frame configuration to suit your install

FEATURES

- 305mm (12") Feet
- 1m x 1.2m (40" x 48") multiples
- Suits a wide variety of units
- Adjustable leg assemblies
- Simple to assemble
- Supplied boxed with clamp kits



MULTI FRAME & EXTENSION

Description	Part no.	Length		Width		Height		Weight		Max. Load	
		mm	Inches	mm	Inches	mm	Inches	Kg	Lbs	Kg	Lbs
Multi Frame	B9720	1000	39 3/8	1200	47 1/4	335 - 440	13 3/16 - 17 3/16	36	79	500	1102
Extension Kit	B9721	1000	39 3/8	1200	47 1/4	335 - 440	13 3/16 - 17 3/16	26	57	500	1102

KIT INCLUDES

Description	Frame	Ext.
305mm (12") Foot & insert	× 4	× 2
1m (40") End bar	× 2	× 2
1.2m (48") Cross bar	× 2	× 2
Unit clamp kit (4 pack)	× 2	× 2
Connector	-	× 2

Information correct at time of going to press.

Standard Frames

The Standard Frames are available in 1m (40"), 2m (80") and 3m (120") arrangements, to suit mini splits, VRF/VRV or a combination of both

FEATURES

- Adjustable leg assemblies
- 3 lengths available
- 1.2m (48") or 1.5m (60") cross bars
- Simple to assemble
- Supplied boxed with clamp kits



STANDARD FRAMES

Description	Part no.	Length		Width		Height		Weight		Max. Load	
		mm	Inches	mm	Inches	mm	Inches	Kg	Lbs	Kg	Lbs
1m x 1.2m (40" x 48")	B6075	1000	39 3/8	1200	47 1/4	290 - 400	11 1/16 - 15 3/4	39	86	500	1102
2m x 1.2m (80" x 48")	B6077	2000	78 3/4	1200	47 1/4	290 - 400	11 1/16 - 15 3/4	67	148	1000	2205
3m x 1.2m (120" x 48")	B6078	3000	118 1/8	1200	47 1/4	290 - 400	11 1/16 - 15 3/4	97	214	1500	3307
1m x 1.5m (40" x 60")	B9442	1000	39 3/8	1500	59 1/16	290 - 400	11 1/16 - 15 3/4	42	93	400	882
2m x 1.5m (80" x 60")	B9443	2000	78 3/4	1500	59 1/16	290 - 400	11 1/16 - 15 3/4	72	159	800	1764
3m x 1.5m (120" x 60")	B9444	3000	118 1/8	1500	59 1/16	290 - 400	11 1/16 - 15 3/4	103	227	1200	2646

KIT INCLUDES

- 40mm x 40mm (1 1/2" x 1 1/2") box section end bars
- Cross bars
- 305mm (12") Leg assemblies
- Clamp kits
- Assembly instructions

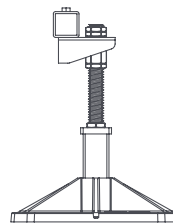
Information correct at time of going to press.

Bespoke Frames

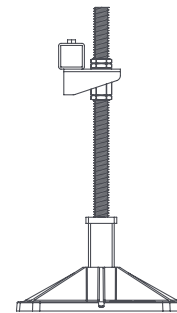
Bespoke Frames are kitted from standard componentry, offering a solution where our Standard Frames may not be suitable in meeting specific needs

FEATURES

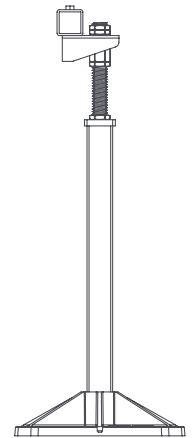
- 3 Leg assembly heights
- 3 Cross bar sizes
- Frame width range from 0.9m (36") to 3.5m (138")



Standard Leg Assembly



Long Stud Leg Assembly



Long Box Leg Assembly

CROSS BAR OPTIONS

Section		Range of Sizes	
mm	Inches	mm	Inches
40 x 40	1 5/8 x 1 5/8	900 - 1500	36 - 60
50 x 50	2 x 2	1500 - 2100	60 - 83
100 x 50	4 x 2	1600 - 3500	66 - 138

LEG ASSEMBLY OPTIONS

Description	Height Adjustment	
	mm	Inches
Standard Leg Assembly	290 - 400	11 3/8 - 15 3/4
Long Stud Leg Assembly	290 - 610	11 3/8 - 24
Long Box Leg Assembly	730 - 825	28 3/4 - 32 1/2

Information correct at time of going to press.



On a building near you...



We have local sales and technical support operating in your area. To find out more about the Big Foot Systems product range and the services we offer, contact our experienced team today!

Information correct at time of going to press.

AHU SUPPORT RANGE

Our packaged standardised approach is delivered to site, with the systems requiring minimal on-site assembly and, without the need to penetrate the roof, are easily positioned.

Where the install requires, we also offer a bespoke solution which is dimensionally configurable at design stage, in footprint and height.

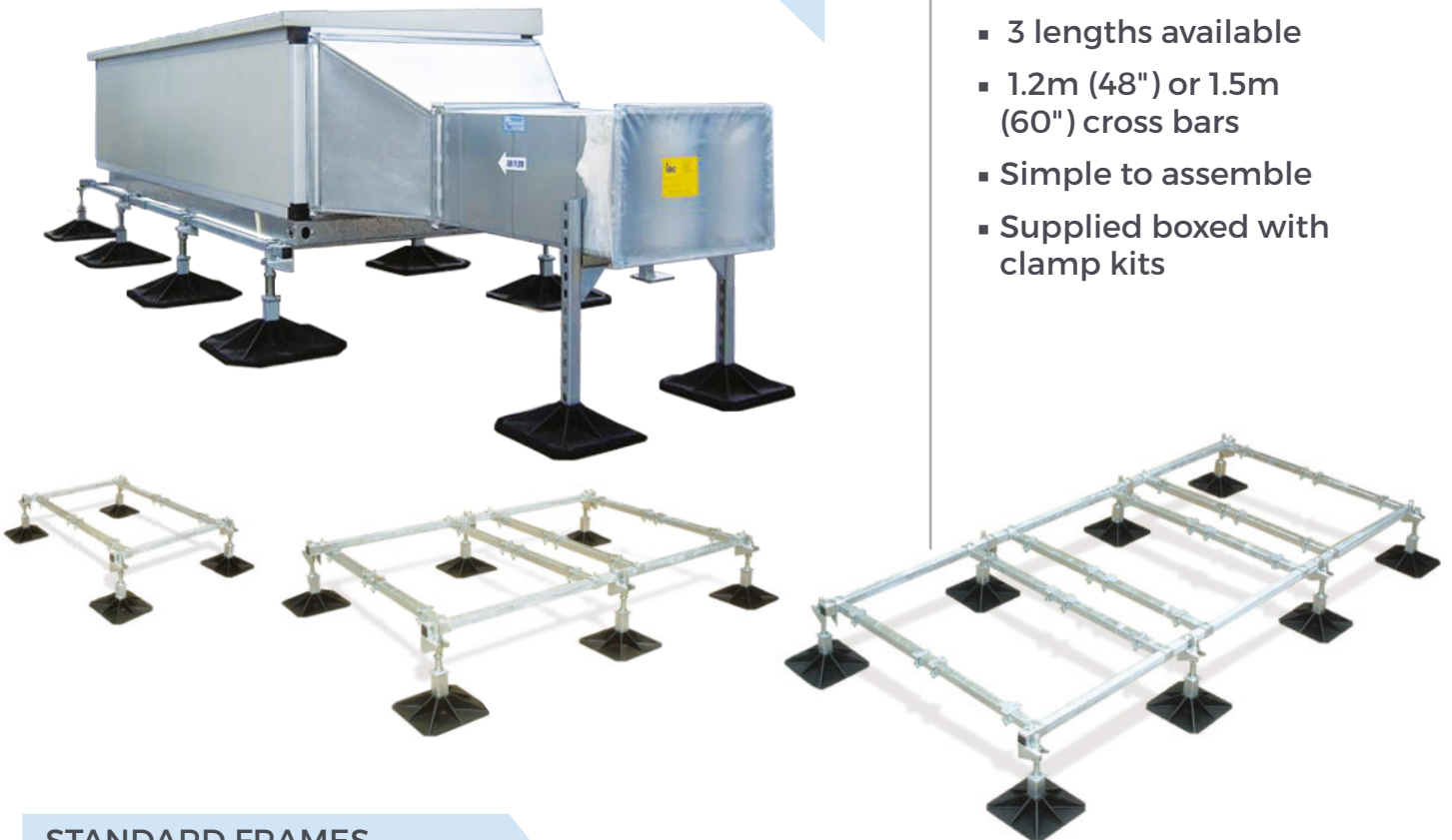


Standard Frame

The Standard Frames are available from stock in 1m (40"), 2m (80") and 3m (120") arrangements, for the support of small Air Handlers

FEATURES

- Adjustable leg assemblies
- 3 lengths available
- 1.2m (48") or 1.5m (60") cross bars
- Simple to assemble
- Supplied boxed with clamp kits



STANDARD FRAMES

Description	Part no.	Length		Width		Height		Weight		Max. Load	
		mm	Inches	mm	Inches	mm	Inches	Kg	Lbs	Kg	Lbs
1m x 1.2m (40" x 48")	B6075	1000	39 3/8	1200	47 1/4	290 - 400	11 1/16 - 15 3/4	39	86	500	1102
2m x 1.2m (80" x 48")	B6077	2000	78 3/4	1200	47 1/4	290 - 400	11 1/16 - 15 3/4	67	148	1000	2205
3m x 1.2m (120" x 48")	B6078	3000	118 1/8	1200	47 1/4	290 - 400	11 1/16 - 15 3/4	97	214	1500	3307
1m x 1.5m (40" x 60")	B9442	1000	39 3/8	1500	59 1/16	290 - 400	11 1/16 - 15 3/4	42	93	400	882
2m x 1.5m (80" x 60")	B9443	2000	78 3/4	1500	59 1/16	290 - 400	11 1/16 - 15 3/4	72	159	800	1764
3m x 1.5m (120" x 60")	B9444	3000	118 1/8	1500	59 1/16	290 - 400	11 1/16 - 15 3/4	103	227	1200	2646

KIT INCLUDES

- 40mm x 40mm (1 1/2" x 1 1/2") box section end bars
- Cross bars
- 305mm (12") Leg assemblies
- Clamp kits
- Assembly instructions

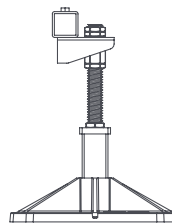
Information correct at time of going to press.

Bespoke Frames

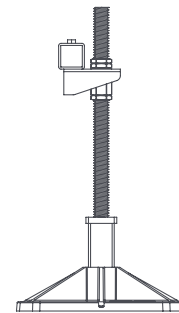
Bespoke Frames are configured in footprint and height, from our standard componentry, offering a free-standing solution to suit your specific project needs

FEATURES

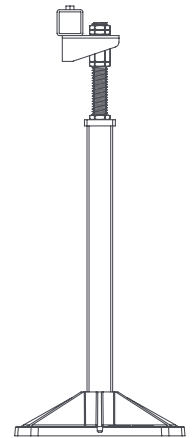
- 3 Leg assembly heights
- 3 Cross bar sizes
- Frame width range from 0.9m (36") to 3.5m (138")



Standard Leg Assembly



Long Stud Leg Assembly



Long Box Leg Assembly

CROSS BAR OPTIONS

Section		Range of Sizes	
mm	Inches	mm	Inches
40 x 40	1 5/8 x 1 5/8	900 - 1500	36 - 60
50 x 50	2 x 2	1500 - 2100	60 - 83
100 x 50	4 x 2	1600 - 3500	66 - 138

LEG ASSEMBLY OPTIONS

Description	Height Adjustment	
	mm	Inches
Standard Leg Assembly	290 - 400	11 5/8 - 15 3/4
Long Stud Leg Assembly	290 - 610	11 5/8 - 24
Long Box Leg Assembly	730 - 825	28 3/4 - 32 1/2

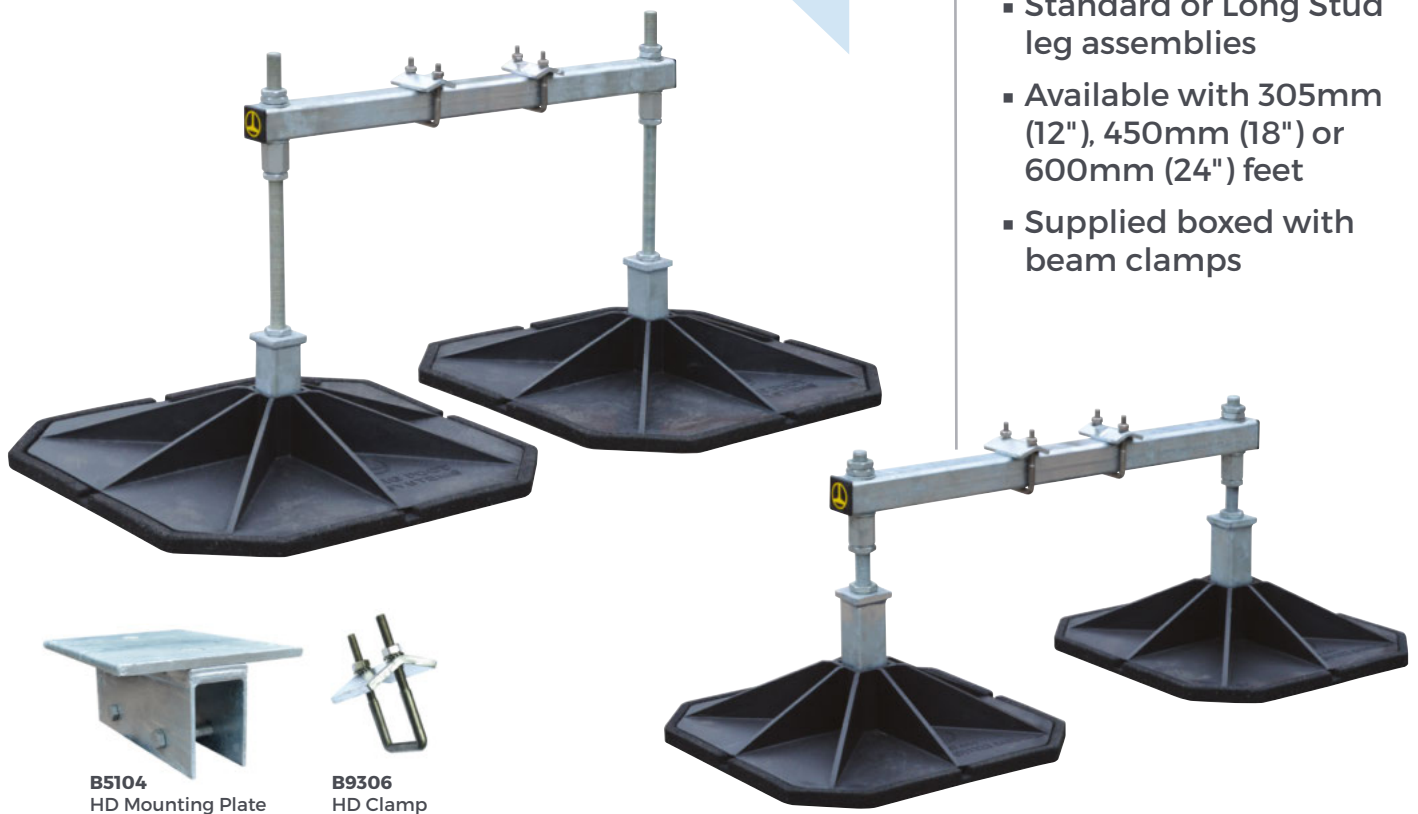
Information correct at time of going to press.

HD Beams

The HD Beam enables the AHU to be positioned accurately, such as directly over existing structural beams, so the load can be evenly distributed

FEATURES

- Adjustable height
- Standard or Long Stud leg assemblies
- Available with 305mm (12"), 450mm (18") or 600mm (24") feet
- Supplied boxed with beam clamps



B5104
HD Mounting Plate

B9306
HD Clamp

HD BEAM

Description	Part no.	Length		Width		Height		Weight		Max. Load	
		mm	Inches	mm	Inches	mm	Inches	Kg	Lbs	Kg	Lbs
360/305 (14"/12")	B9722	1066	42	330	13	300 - 360	11 13/16 - 14 3/16	16	35	500	1102
560/305 (22"/12")	B9723	1066	42	330	13	300 - 560	11 13/16 - 22 1/16	18	40	500	1102
360/450 (14"/18")	B9423	1222	48 1/8	486	19 1/8	300 - 360	11 13/16 - 14 3/16	23	51	1000	2205
560/450 (22"/18")	B9690	1222	48 1/8	486	19 1/8	300 - 560	11 13/16 - 22 1/16	25	55	1000	2205
360/600 (14"/24")	B9373	1378	54 1/4	642	25 1/4	300 - 360	11 13/16 - 14 3/16	33	73	1500	3307
560/600 (22"/24")	B9692	1378	54 1/4	642	25 1/4	300 - 560	11 13/16 - 22 1/16	35	77	1500	3307

KIT INCLUDES

Leg assembly	× 2
Cross bar	× 1
Beam clamps	× 2
Assembly instructions	× 1

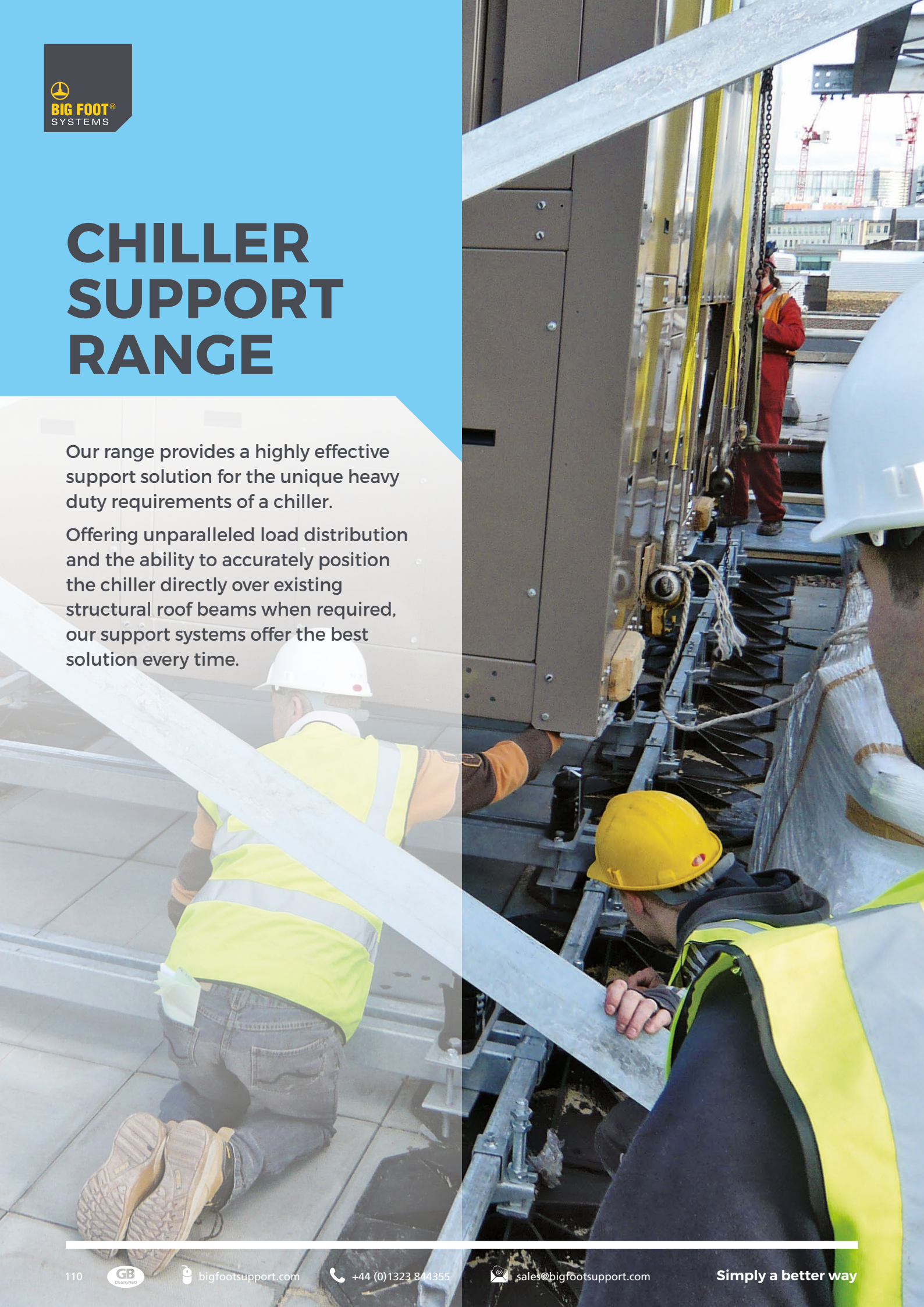
Information correct at time of going to press.



CHILLER SUPPORT RANGE

Our range provides a highly effective support solution for the unique heavy duty requirements of a chiller.

Offering unparalleled load distribution and the ability to accurately position the chiller directly over existing structural roof beams when required, our support systems offer the best solution every time.

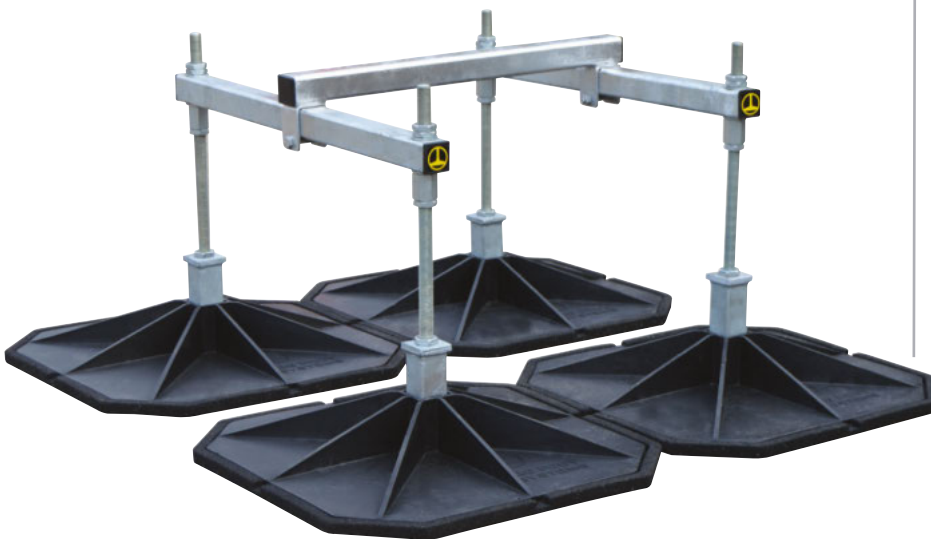


HD Cube

Due to the close proximity of the four feet, the HD Cube has a large square base which naturally affords excellent load distribution qualities

FEATURES

- Available in 9 configurations
- Available with 305mm (12"), 450mm (18") or 600mm (24") feet
- Alternative to heavy complex frameworks
- Fast assembly
- Excellent load distribution
- Supplied boxed



B5104
HD Mounting Plate



B9306
HD Clamp

HD CUBE

Description	Part no.	Length		Width		Height		Weight		Max. Load	
		mm	Inches	mm	Inches	mm	Inches	Kg	Lbs	Kg	Lbs
360/305	B5611	1066	42	979	38 ½	350 - 410	13 ¾ - 16 ½	39	86	1000	2205
560/305	B5612	1066	42	979	38 ½	350 - 610	13 ¾ - 24	42	93	1000	2205
800/305	B5613	1066	42	979	38 ½	800 - 860	31 ½ - 33 ¾	48	106	1000	2205
360/450	B5614	1222	48 ½	1135	44 ¾	350 - 410	13 ¾ - 16 ½	52	115	2000	4409
560/450	B5615	1222	48 ½	1135	44 ¾	350 - 610	13 ¾ - 24	56	123	2000	4409
800/450	B5616	1222	48 ½	1135	44 ¾	800 - 860	31 ½ - 33 ¾	64	141	2000	4409
360/600	B5617	1378	54 ¼	1291	50 ¾	350 - 410	13 ¾ - 16 ½	74	163	3000	6614
560/600	B5618	1378	54 ¼	1291	50 ¾	350 - 610	13 ¾ - 24	76	168	3000	6614
800/600	B5619	1378	54 ¼	1291	50 ¾	800 - 860	31 ½ - 33 ¾	83	183	3000	6614

KIT INCLUDES

Adjustable leg	× 4
Cube end bar	× 2
Cube cross bar	× 1
Assembly instructions	× 1

Information correct at time of going to press.

HD Beam

The HD Beam enables the heavy plant to be positioned accurately, such as directly over existing structural beams, so the load can be evenly distributed

FEATURES

- Adjustable height
- Standard or Long Stud leg assemblies
- Available with 305mm (12"), 450mm (18") or 600mm (24") feet
- Supplied boxed with beam clamps



B5104
HD Mounting Plate

B9306
HD Clamp

HD BEAM

Description	Part no.	Length		Width		Height		Weight		Max. Load	
		mm	Inches	mm	Inches	mm	Inches	Kg	Lbs	Kg	Lbs
360/305 (14"/12")	B9722	1066	42	330	13	300 - 360	11 13/16 - 14 3/16	16	35	500	1102
560/305 (22"/12")	B9723	1066	42	330	13	300 - 560	11 13/16 - 22 1/16	18	40	500	1102
360/450 (14"/18")	B9423	1222	48 1/8	486	19 1/8	300 - 360	11 13/16 - 14 3/16	23	51	1000	2205
560/450 (22"/18")	B9690	1222	48 1/8	486	19 1/8	300 - 560	11 13/16 - 22 1/16	25	55	1000	2205
360/600 (14"/24")	B9373	1378	54 1/4	642	25 1/4	300 - 360	11 13/16 - 14 3/16	33	73	1500	3307
560/600 (22"/24")	B9692	1378	54 1/4	642	25 1/4	300 - 560	11 13/16 - 22 1/16	35	77	1500	3307

KIT INCLUDES

Leg assembly	× 2
Cross bar	× 1
Beam clamps	× 2
Assembly instructions	× 1

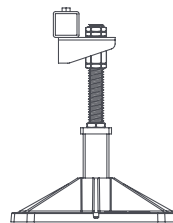
Information correct at time of going to press.

Bespoke Frame

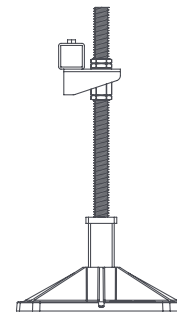
Bespoke Frames are configured in footprint and height, from our standard componentry, offering a free-standing solution to suit your specific project needs

FEATURES

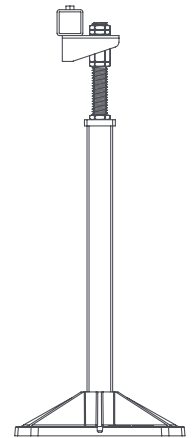
- 3 Leg assembly heights
- 3 Cross bar sizes
- Frame width range from 0.9m (36") to 3.5m (138")



Standard Leg Assembly



Long Stud Leg Assembly



Long Box Leg Assembly

CROSS BAR OPTIONS

Section		Range of Sizes	
mm	Inches	mm	Inches
40 x 40	1 5/8 x 1 5/8	900 - 1500	36 - 60
50 x 50	2 x 2	1500 - 2100	60 - 83
100 x 50	4 x 2	1600 - 3500	66 - 138

LEG ASSEMBLY OPTIONS

Description	Height Adjustment	
	mm	Inches
Standard Leg Assembly	290 - 400	11 5/8 - 15 3/4
Long Stud Leg Assembly	290 - 610	11 5/8 - 24
Long Box Leg Assembly	730 - 825	28 3/4 - 32 1/2

Information correct at time of going to press.

SAFE ACCESS RANGE

Offering secure and easy access to rooftop services the Safe Access range provides standard site-assembled Rapid Walkway, Step Overs and Plant Deck Frame.

In addition, Big Foot Systems highly skilled engineering team will survey and design Custom Safe Access systems tailored specifically to meet individual design parameters.



Information correct at time of going to press.

SAFE ACCESS RANGE

Step Overs

Step Overs are the ideal solution for safe and easy access around most obstacles and are available with 2, 3 and 4 steps and a 1m landing section

FEATURES

- 3 step options available
- 1m landing section
- Adjustable leg assemblies
- Flat packed for ease of handling
- Simple to assemble



STEP OVER PLATFORM

- 200mm feet
- 155mm clearance height
- Simple to assemble



STEP OVER

Description	Part no.	Length		Width		Clearance Height		Total Height		Weight	
		mm	Inches	mm	Inches	mm	Inches	mm	Inches	Kg	Lbs
2 Step Unit	B6939	2060	81 1/8	1472	56	560	22 1/8	1770	69 11/16	215	474
3 Step Unit	B6940	2560	100 13/16	1472	56	780	30 11/16	1990	78 3/8	255	562
4 Step Unit	B6941	3060	120 1/2	1472	56	1000	39 3/8	2210	87	295	650

Description	Part no.	Length		Width	
		mm	Inches	mm	Inches
600 (24")	B9200	1000	39 3/8	600	23 5/8
1000 (40")	B9201	1000	39 3/8	1000	39 3/8
Handrail	B6942	1000	39 3/8	-	-

Information correct at time of going to press.



Rapid Walkway

Ideal for establishing a safe path around installations on a flat roof. The gritted GRP top is non-slip in any weather and supported by our tried and tested Fix-it Foot



FEATURES

- Easy fixing system for fast site installation
- Flexible solution with 3 height options available from stock
- Supported on Fix-it Foot for tried and tested stability and reduced vibration
- Safe non-slip GRP walkway
- Flat packed for ease of handling

RAPID WALKWAY

Description	Part no.	Length		Width		Height		Weight	
		mm	Inches	mm	Inches	mm	Inches	Kg	Lbs
1m x 1m (40" x 40")	B9105	1000	39 3/8	1000	39 3/8	121	4 3/4	32	71
2m x 1m (80" x 40")	B9106	2000	78 3/4	1000	39 3/8	121	4 3/4	54	119
3m x 1m (120" x 40")	B9107	3000	118 1/8	1000	39 3/8	121	4 3/4	77	170
1m (40") Handrail	B9111	1000	39 3/8	-	-	1100	43 5/16	13	29
2m (80") Handrail	B9112	2000	78 3/4	-	-	1100	43 5/16	22	49
3m (120") Handrail	B9113	3000	118 1/8	-	-	1100	43 5/16	30	66
1m (40") Corner Handrail	B9104	1000	39 3/8	1000	39 3/8	1100	43 5/16	23	51

KIT INCLUDES

- Fix-it Foot 1000 feet
- GRP Grid
- Assembly instructions

Information correct at time of going to press.

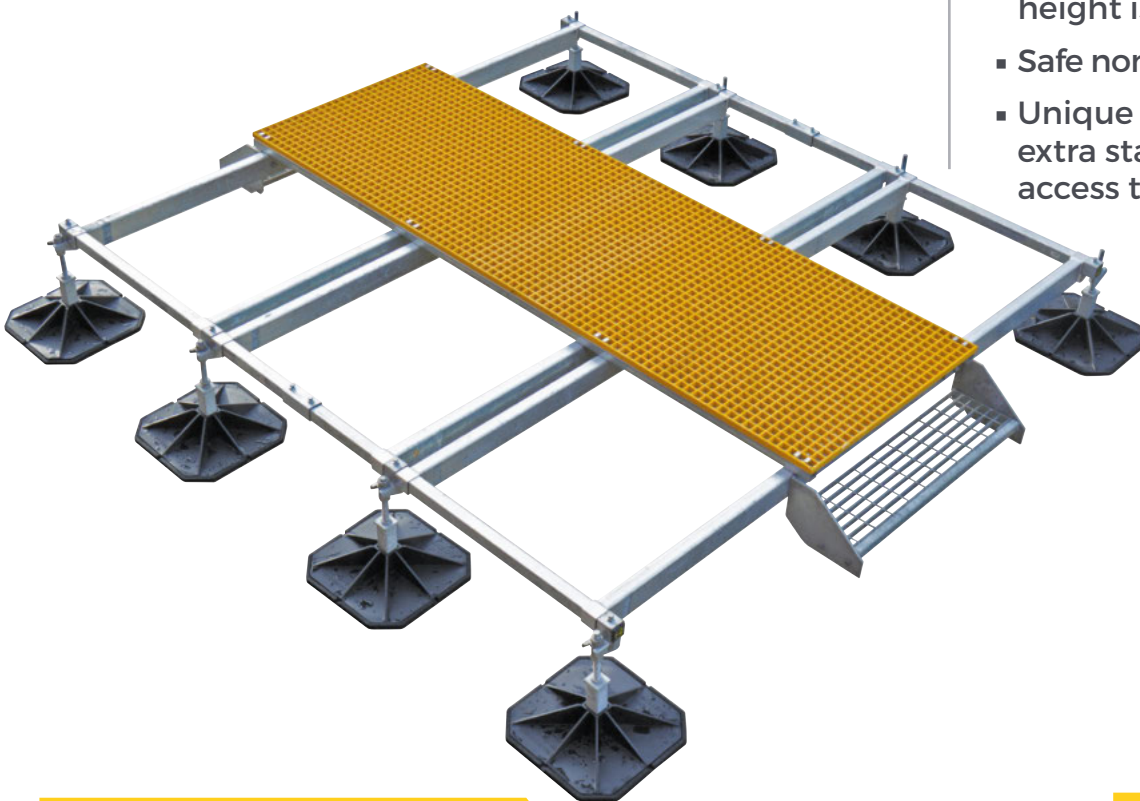
SAFE ACCESS RANGE

Plant Deck Frame

Designed to facilitate multiple VRF/VRV installations with access requirements, available in 3 sizes, the wide base also offers stability in high wind locations

FEATURES

- Fast installation
- 3 standard sizes available from stock
- Adjustable leg assemblies ensure that clearance height is met
- Safe non-slip GRP walkway
- Unique design enabling extra stability and easy access to multiple units



PLANT DECK FRAME

Description	Part no.	Length		Width		Height		Weight		Max. Load	
		mm	Inches	mm	Inches	mm	Inches	Kg	Lbs	Kg	Lbs
4 Unit	B4040	2436	95 1/8	3450	135 1/8	380 - 480	15 - 19	230	507	1600	3527
6 Unit	B4060	3436	135 1/8	3450	135 1/8	380 - 480	15 - 19	329	705	2400	5291
8 Unit	B4080	4436	174 1/8	3450	135 1/8	380 - 480	15 - 19	410	904	3200	7055

KIT INCLUDES

- Adjustable leg assemblies
- End bars
- Cross bars
- GRP Grid
- Assembly instructions



Aspen Pumps Group
Apex Way, Hailsham, East Sussex, BN27 3WA United Kingdom
tel: +44 (0) 1323 848842 fax: +44 (0) 1323 848846